

Press connection

Lead Free, Full Port Brass Ball Valves

Feature:

- ✓ Dezincification Resistant (DZR) Lead Free Brass
- ✓ Conform to IAPMO PS 117
- ✓ Forged Full Port Brass body
- ✓ Blow out proof stem design
- ✓ Packing nut, O-ring & packing on the stem seal
- ✓ Handle with vinyl grip
- ✓ Compatible with Water, Oil, Gas, Steam and Air applications



Pressure Rating:

- 250 psi (WOG/CWP) / 150 psi (WSP)
- Temperature range: -20°F to 300°F

Approvals:

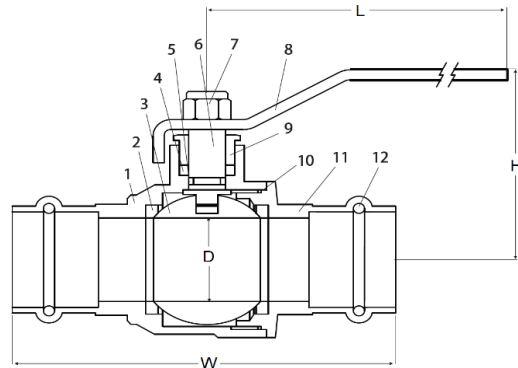
IAPMO

NSF/ANSI-61
NSFANSI-372

NSFANSI-14



ISO9001:2015



Part Name	Material
1. Body	Lead Free Brass
2. Seat	PTFE
3. Ball	Lead Free Brass
4. Packing	PTFE
5. O-ring	NBR
6. Stem	Lead Free Brass
7. Handle nut	Ferromagnetic Chrome plated
8. Handle	Ferromagnetic Chrome plated
9. Packing Nut	Brass
10. O-ring	NBR
11. Cap	Lead Free Brass
12. O-ring	EPDM

Part#	Size	D	W	H	L
5441LF	1/2	0.59	3.19	1.81	3.46
5442LF	3/4	0.75	3.6	2.09	4.29
5443LF	1	0.98	3.92	2.25	4.29
5444LF	1-1/4	1.26	4.41	2.52	5.63
5445LF	1-1/2	1.57	5.35	2.74	5.63
5446LF	2	1.94	6.49	3.03	5.63
5447LF	2-1/2	2.56	10.5	4.07	6.81
5448LF	3	3.15	11.31	4.28	6.81
5449LF	4	3.94	13.5	4.82	7.38

*Unit in inch