

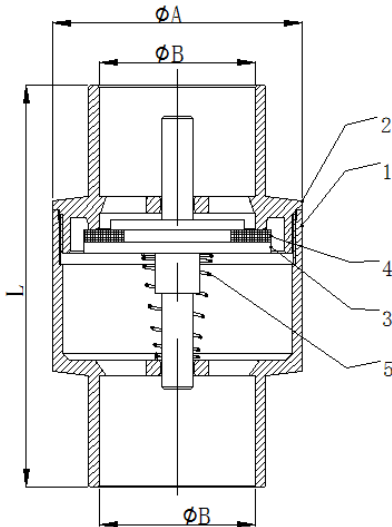
## Lead Free Solder In-Line Spring Check Valve

### Feature:

- ✓ Dezincification Resistant (DZR) Lead Free Brass Material
- ✓ Solder-Joint conform ASME B16.22
- ✓ Forged Brass body
- ✓ Sealed In EPDM-Rubber
- ✓ Spring Made In Stainless Steel AISI 304
- ✓ Screw Made in Brass

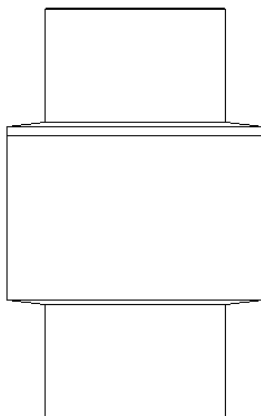
### Performance Rating:

- The Max .Working Pressure 200PSI
- Working Temperature 32°F -212°F



Part#	SWT	ØA	L	ØB
5581LF	1/2"	1.165	2.362	0.629
5582LF	3/4"	1.456	2.677	0.879
5583LF	1"	1.716	3.150	1.130
5584LF	1-1/4"	2.205	3.543	1.380
5585LF	1-1/2"	2.496	3.937	1.630
5586LF	2"	3.071	4.330	2.130

\*Unit in inch



No.	Item	Material
1	Body	Lead Free Brass
2	Bonnet	Lead Free Brass
3	Core	Lead Free Brass
4	Seat	FPM
5	Spring	Stainless Steel