

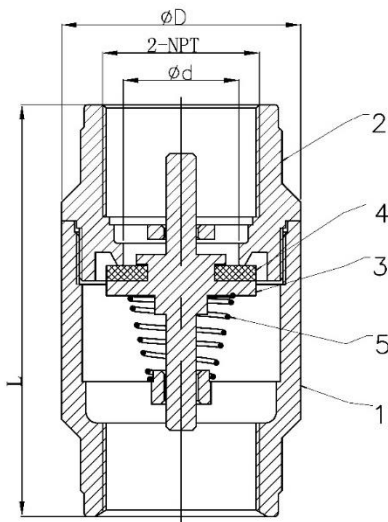
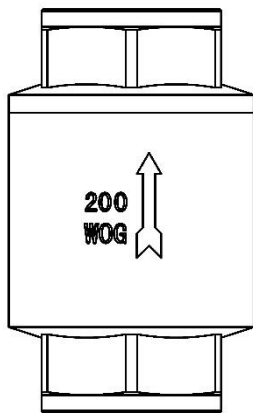
## IPS In-Line Spring Check Valve

### Feature:

- ✓ Dezincification Resistant (DZR) Lead Free Brass Material
- ✓ Solder-Joint conform ASME B16.22
- ✓ Forged Brass body
- ✓ Sealed In EPDM-Rubber
- ✓ Spring Made In Stainless Steel AISI 304
- ✓ Screw Made in Brass

### Performance Rating:

- The Max .Working Pressure 200PSI
- Working Temperature 32°F -212°F



Part#	NPT	ØD	L	Ød
5501LF	1/2"	1.26"	2.16"	0.61"
5502LF	3/4"	1.53"	2.44"	0.76"
5503LF	1"	1.8"	2.55"	0.95"
5504LF	1-1/4"	2.3"	2.85"	1.3"
5505LF	1-1/2"	2.56"	3.07"	1.41"
5506LF	2"	3.17"	3.42"	1.69"
5507	2-1/2"	4.05"	3.42"	2.73"
5508	3"	4.74"	3.93"	2.73"
5509	4"	6.08"	4.4"	4.17"

\*Unit in inch \*5507 5508 5509 not for potable water

No.	Item	Material
1	Body	Brass
2	Bonnet	Brass
3	Core	Brass
4	Seat	EPDM
5	Spring	Stainless Steel