

## 1/4 Turn Garden Hose Shut-off Valve

### Feature:

- ✓ Forged Standard Brass Body
- ✓ Hose Thread conform to ANSI B1.20.7
- ✓ PA wrapped zinc alloy handle
- ✓ NBR washer included

### Working Pressure:

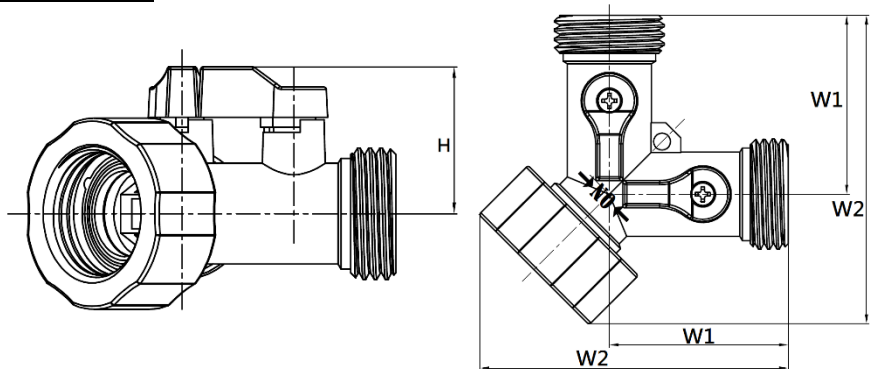
- 125 psi Maximum



Part #	Description
5G0003	2-way Splitter Shut-off Valve 3/4" FHT x MHT

Dimensions			
Model	H	W1	W2
5G0003	1.15	1.67	2.88

\*Unit in inch



Part Name	Material
1 Washer	NBR
2 Seat	Brass
3 O-ring	NBR
4 Swivel Nut	Brass+PA
5 Body	Brass
6 Seal Ring	PTFE
7 Ball	Brass
8 Adapter	Brass
9 Stem	Brass
10 O-ring	NBR
11 Handle	Zinc+PA
12 Screw	Steel

