

Brass Gas Valve Female NPT x Female NPT

Feature:

- ✓ Thread conform to ANSI B1.20.1
- ✓ Forged Brass body
- ✓ PTFE Ball seat
- ✓ Packing nut, O-ring & packing on the stem seal
- ✓ Leak proof brass stem
- ✓ Aluminum alloy handle



Pressure Rating:

- 600 psi (WOG/CWP) 175 psi (Gas)
- Temperature range: -4°F to 149°F

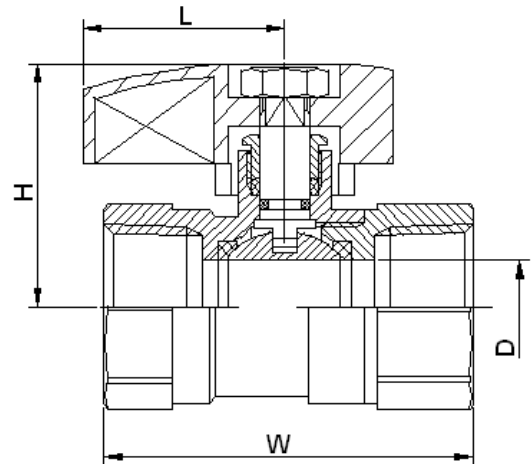
Approvals:

UL
UL 842, 125, 1477

CSA
ANSI Z21.15 / CSA 9.1
ASME B16.33 / B16.44
CGA CR91-002



ISO9001:2015



Part Name	Material
Body	Brass
Seat	PTFE
Ball	Brass
Stem O-ring	NBR
Packing Nut	Brass
Stem	Brass
Lock Nut	Ferromagnetic copper plated
Ball Packing	PTFE
Handle	Aluminum alloy
Cap	Brass

Part#	NPT	D	L	H	W
5471	1/2"	0.394	1.28	1.437	2.204
5472	3/4"	0.591	1.28	1.535	2.362
5473	1"	0.748	1.28	1.721	2.874

*Unit in Inch