

# U-BOLT MECHANICAL TEE

## Model 501



The Model 501 U-Bolt Mechanical Tee is the ideal outlet fitting for a direct connection to sprinkler heads, drop nipples and or gauges. No need for welding, just cut or drill a hole at the desired outlet location. Position the U-Bolt Mechanical Tee so that the locating collar fits within the hole and secure with the U-bolt and nuts. The U-Bolt Mechanical Tee allows full bore flow and is pressure rates to 300 psi (20 bar).

### Pipe Material

- Carbon steel, Schedule 10, Schedule 40.

For use with alternative materials and wall thicknesses please contact ARGCO.

### Maximum Working Pressure

- Up to 365 psi/2517 kPa.

### Function

- Joins carbon steel pipe.
- Provides a rigid pipe joint designed to restrict axial or angular movement.

### CERTIFICATIONS/LISTINGS

Underwriters Laboratories, Underwriters Laboratories Canada, Factory Mutual.

### SPECIFICATIONS - MATERIAL

**Housing Sections:** Ductile Iron conforming to ASTM A 536, Grade 65-45-12.

### Housing Coating:

Standard: Hot Dipped Galvanized

Available: Orange Enamel

### Gasket:

Standard: Grade E EPDM (Type A)

ARGCO's products are listed by Underwriters Laboratories UL Canada and Approved by Factory Mutual for wet and dry (oil free air) sprinkler services within the rated working pressure.

### Bolts and Nuts

Standard: Carbon Steel oval neck track bolts meeting ASTM A449 and ISO 898-1. Carbon steel hex nuts meet ASTM A563 Grade B.

Nuts and Bolts are zinc electroplated per ASTM B633 NZ/FE5, finish Type III.

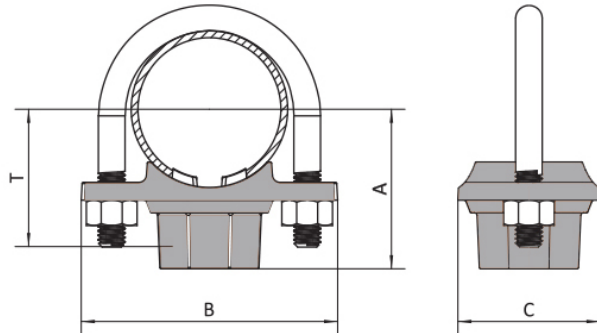
Available: Stainless Steel. Meets ASTM F593, Group 2 (316 stainless steel), condition CW.

Hex nuts meets ASTM F594, Group 2 (316 stainless steel), condition CW, with galling-resistant coating.

System No.		Location		Spec Section		Paragraph	
Submitted By		Date		Approved		Date	

# U-BOLT MECHANICAL TEE

## Model 501



Item #	Nominal Size in/mm	Hole Dia. T +0.04, -0 +1, -0	Hole Saw Size in/mm	Dimensions			Take-Out T/D in/mm	Bolt Size in	Bolt Torque N-M/Lbs-Ft
				A inches mm	B inches mm	C inches mm			
7010285	1-1/4 x 1/2	1.18	1-3/16	2.09	3.50	2.20	1.73	3/8	22-29
	32 x 15	30	30	53	89	56	44	U-Bolt	30-40
7010286	1-1/4 x 3/4	1.18	1-3/16	2.09	3.50	2.20	1.73	3/8	22-29
	32 x 20	30	30	53	89	56	44	U-Bolt	30-40
7010287	1-1/4 x 1	1.18	1-3/16	2.20	3.50	2.20	1.85	3/8	22-29
	32 x 25	30	30	56	89	56	47	U-Bolt	30-40
7010288	1-1/2 x 1/2	1.18	1-3/16	2.17	3.50	2.20	1.81	3/8	22-29
	40 x 15	30	30	55	89	56	46	U-Bolt	30-40
7010289	1-1/2 x 3/4	1.18	1-3/16	2.17	3.50	2.20	1.81	3/8	22-29
	40 x 20	30	30	55	89	56	46	U-Bolt	30-40
7010290	1-1/2 x 1	1.18	1-3/16	2.28	3.50	2.20	1.93	3/8	22-29
	40 x 25	30	30	58	89	56	49	U-Bolt	30-40
7010291	2 x 1/2	1.18	1-3/16	2.52	3.86	2.20	2.09	3/8	22-29
	50 x 15	30	30	64	98	56	53	U-Bolt	30-40
7010292	2 x 3/4	1.18	1-3/16	2.52	3.86	2.20	2.09	3/8	22-29
	50 x 20	30	30	64	98	56	53	U-Bolt	30-40
7010293	2 x 1	1.18	1-3/16	2.64	3.86	2.20	2.20	3/8	22-29
	50 x 25	30	30	67	98	56	56	U-Bolt	30-40
7010294	2-1/2 x 1/2	1.18	1-3/16	2.72	4.37	2.20	2.28	3/8	22-29
	65 x 15	30	30	69	111	56	58	U-Bolt	30-40
7010295	2-1/2 x 3/4	1.18	1-3/16	2.72	4.37	2.20	2.28	3/8	22-29
	65 x 20	30	30	69	111	56	58	U-Bolt	30-40
7010296	2-1/2 x 1	1.18	1-3/16	2.83	4.37	2.20	2.40	3/8	22-29
	65 x 25	30	30	72	111	56	61	U-Bolt	30-40