

ABRASIVE BLASTING POT PUSHER LINE ASSEMBLIES

Assemble Pusher Line

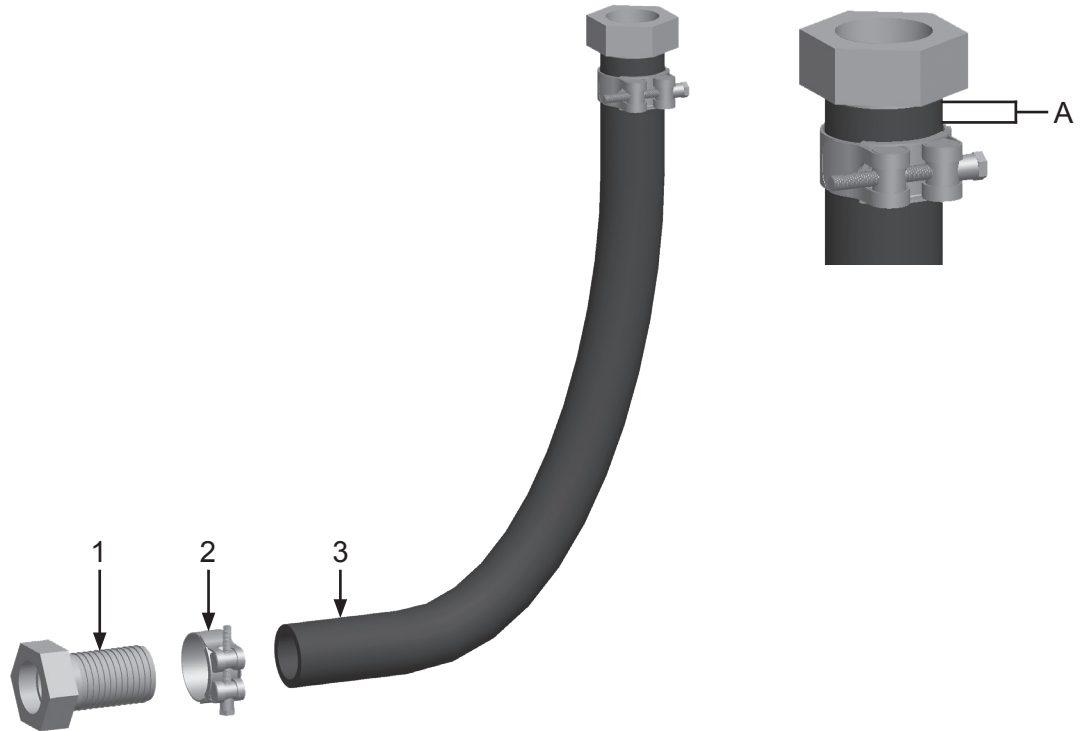
Figure 1

⚠ WARNING

Always depressurize the entire system, disconnect all power sources and lockout/tagout all components before any maintenance or troubleshooting is attempted. Failure to comply with the above warning could cause electrical shock and inadvertent activation of equipment resulting in death or serious injury.

⚠ WARNING

Never weld, grind or drill on the abrasive blasting pot (or any pressure vessel). Doing so will void ASME certification and manufacturer's warranty. Welding, grinding or drilling on the abrasive blasting pot (or any pressure vessel) could weaken the vessel causing it to burst. Failure to comply with the above warning could result in death or serious injury. (ASME Pressure Vessel Code, Section VIII, Division 1)



Assembly:

Fig. 1

- 1) Place T-Bolt Hose Clamp (2) on Air Hose (3). Do not tighten.
- 2) Lubricate barb of Swivel Air Hose End (1) with soapy water, and insert Swivel Air Hose End (1) into Air Hose (3). Ensure nut of Swivel Air Hose End rotates freely. Ensure gasket (*not shown*) is in place in the Swivel Air Hose End.
- 3) Place Hose Clamp (2) a distance (A) of 1 inch from end of Air Hose, and tighten Hose Clamp.
- 4) Connect assembled end of Pusher Line on abrasive metering valve.
- 5) Cut Air Hose (3) to length to ensure there are no creases or kinks between the abrasive metering valve and the abrasive blasting pot piping.
- 6) Repeat steps 1–3 for opposite end.
- 7) Connect Pusher Line Assembly to abrasive blasting pot piping.

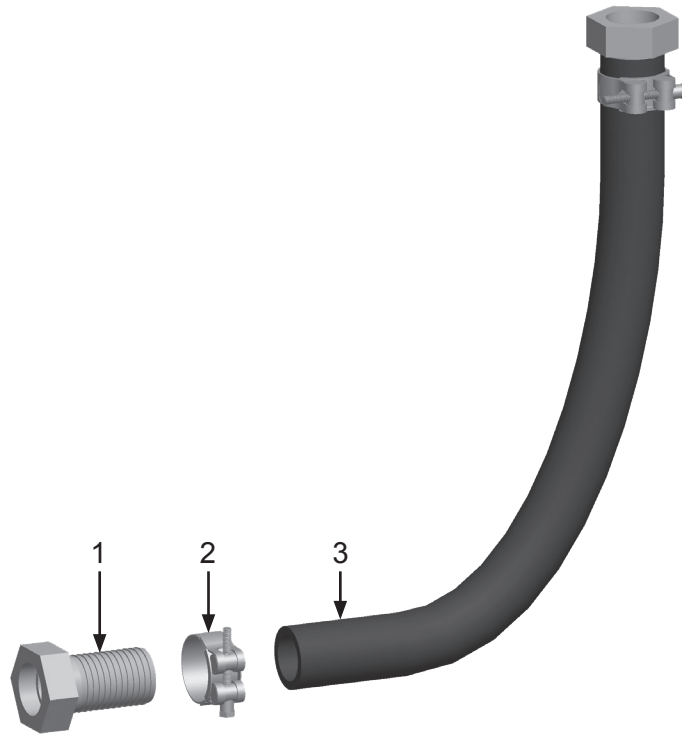
ABRASIVE BLASTING POT PUSHER LINE ASSEMBLIES

Abrasive Blasting Pot Pusher Line Assembly – Schematic

Figure 2

WARNING

Breathing dust containing silica could cause silicosis, a fatal lung disease. Breathing dust during abrasive blasting operations, post-blast cleaning operations, and/or servicing equipment within the abrasive blasting area may expose an individual to conditions that could cause asbestosis, lead poisoning and/or other serious or fatal diseases. Harmful dust containing toxic material from abrasives or surfaces being abrasive blasted can remain suspended in the air for long periods of time after abrasive blasting has ceased. A NIOSH-approved, well-maintained, respirator designed for the specific operation being performed must be used by anyone abrasive blasting, handling or using the abrasive, and anyone in the area of the dust. Failure to comply with the above warning could result in death or serious injury.



Item #	Part #	Description
--------	--------	-------------

Fig. 2

—	1006310	1" I.D. Pusher Line Assembly <i>Includes Item #: 1, 2, and 3 (Quantity of Three Feet)</i>
—	1006311	1-1/4" I.D. Pusher Line Assembly <i>Includes Item #: 1, 2, and 3 (Quantity of Three Feet)</i>
—	1006312	1-1/2" I.D. Pusher Line Assembly <i>Includes Item #: 1, 2, and 3 (Quantity of Three Feet)</i>
1	10SFE2 10SFE3 10SFE4	1" Female Swivel Air Hose End <i>(Two Required)</i> 1-1/4" Female Swivel Air Hose End <i>(Two Required)</i> 1-1/2" Female Swivel Air Hose End <i>(Two Required)</i>
2	10103736 10103737 10103738	1" T-Bolt Hose Clamp <i>(Two Required)</i> 1-1/4" T-Bolt Hose Clamp <i>(Two Required)</i> 1-1/2" T-Bolt Hose Clamp <i>(Two Required)</i>
3	10AH100B 10AH114B 10AH112B	1" I.D. Air Hose 1-1/4" I.D. Air Hose 1-1/2" I.D. Air Hose
—	10SFE2G	Gasket for 10SFE2 Swivel Air Hose End <i>(Not Shown)</i>
—	10SFE3G	Gasket for 10SFE3 Swivel Air Hose End <i>(Not Shown)</i>
—	10SFE4G	Gasket for 10SFE4 Swivel Air Hose End <i>(Not Shown)</i>
—	1090059	Technical Data Sheet – Pusher Line Assemblies