



MARCO® 300 SERIES HOSE-MOUNTED LIGHT



Powered by **ALLREDI**.

PART NUMBERS AND SCHEMATICS GUIDE

Company Profile

Allredi was formed in the early 2020, when two of the largest distributors in the blasting, coating, safety, and environmental industry, APE Companies and Marco Group International, joined forces. While the qualities both companies are known for have not changed, a lot about our business is new. New abilities. New agilities. New ways to help you win. This calls for a new name, Allredi.

This name exemplifies what we have become. It is completely oriented to the needs of our customers. To your needs. It says that when you call us for anything – products, service, expert advice, anything – you can consider it done. Or even better, Allredi done.

We are your right-now supplier. From skills to SKUs, we deliver the goods fast. So you can be more agile every minute, every day. This is who we are. This is what our new name means. Go ahead and expect excellence, because we're bringing it.

Our Mission and Vision

To be the industry's preferred partner in surface preparation solutions through unrivaled technical expertise, customer experience, product availability, and tailored service offerings.

The Allredi Difference

- **Industry Experience** – With Allredi on your team, you have access to expertise which can only come from decades of industry leadership. We have organized our engineering department, production specialists, customer operations, and safety support into a "Center of Competence." As an Allredi customer, you have access to hundreds of years of cumulative experience related to your operations.
- **Manufacturing Excellence** – Allredi is a U.S. based manufacturer of equipment for the Surface Preparation and Protective Coatings industries. Allredi's engineers benchmark the industry to ensure that we design and manufacture superior products that set the "Gold Standard" for performance, safety, and quality.
- **Legendary Customer Service** – Allredi's legendary customer service team is staffed by friendly, highly-trained individuals who are focused on providing the highest level of product support, order accuracy, and customer satisfaction.
- **Product Availability** – We stock over 10,000 SKU's and have over 45 shipping locations to serve North American and International markets for all major brands of blasting, coating, environmental, and safety equipment. Allredi is your right-now supplier, so you can keep your projects moving. From our foundation of strong relationships, we have built a nationwide network that puts vast inventory and ready service close to our customers. We provide advanced expertise, and we deliver the goods fast – so you can easily access the products and services you need to me more agile every minute, every day.
- **Technology Leadership** – Our website provides: Operator's Manuals, Part Numbers and Schematics Guides, SDS information, and key product features and specifications, providing access to information 24/7.

TABLE OF CONTENTS

Company Profile	1
Part Numbers	3-4
Part Numbers & Schematics	5-9
Marco® 300 Series Hose-Mounted Light with 120- Volt AC to 12-Volt AC Power Converter	5
Marco® 300 Series Hose-Mounted Light with Battery Clamp Set	6
Marco® 300 Series Hose-Mounted Light Assembly .	7-8
Marco® 120-Volt AC to 12-Volt AC Power Converter .	9
Optional Accessories	10

PART NUMBERS

MARCO® 300 SERIES HOSE-MOUNTED LIGHT						
Part Numbers	Body Material	Power Source	120-Volt AC to 12-Volt AC Power Converter	Attached Electric Cord	Stanchion	Electric Cord Connectors
1030051	Polyurethane	120-Volt AC	X	75 Ft.	X	Standard Wall 3 Prong
1030053	Polyurethane	120-Volt AC	X	150 Ft.	X	Standard Wall 3 Prong



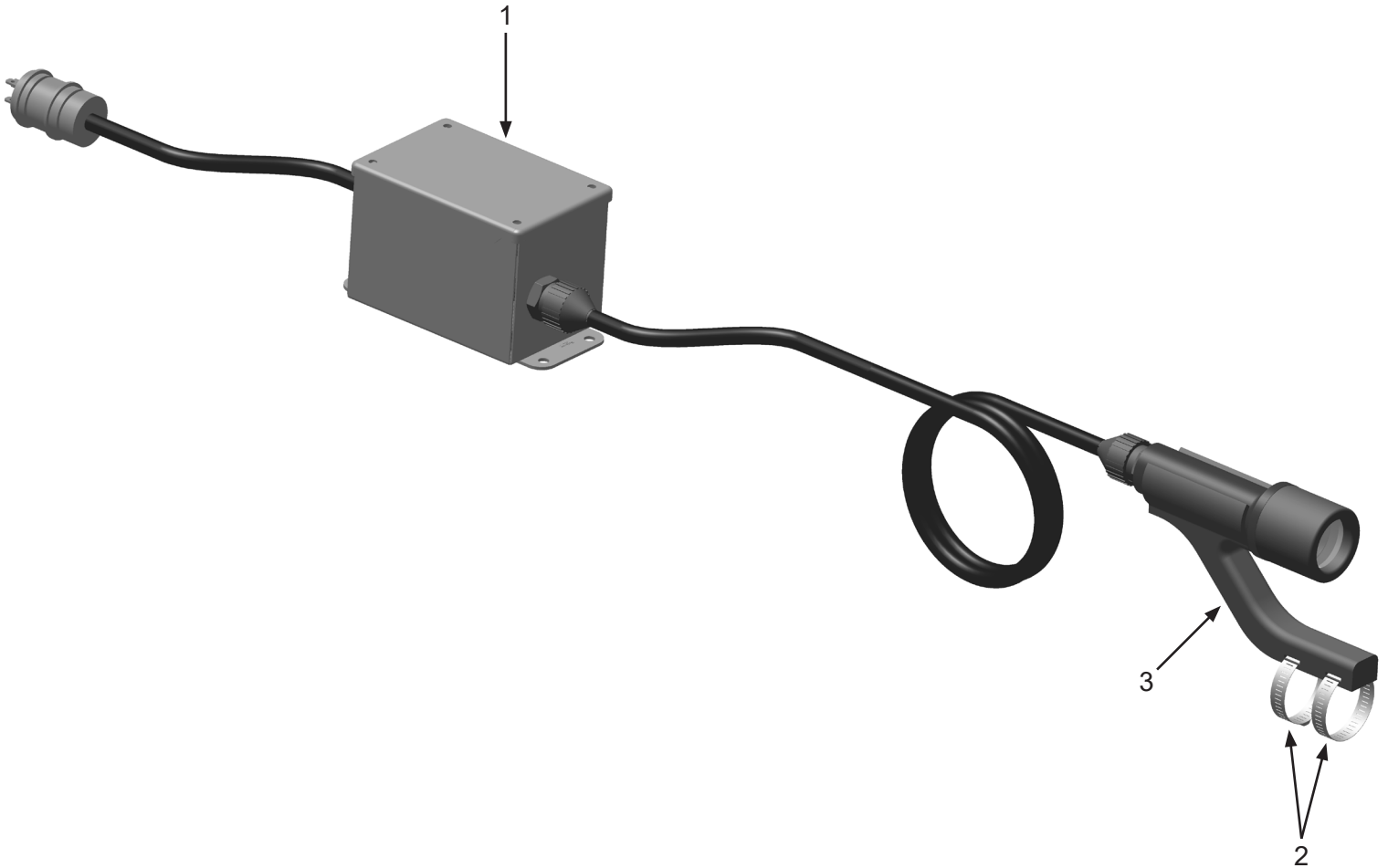
PART NUMBERS

MARCO® 300 SERIES HOSE-MOUNTED LIGHT						
Part Numbers	Body Material	Power Source	Battery Clamps	Attached Electric Cord	Stanchion	Electric Cord Connectors
1030060	Polyurethane	12-Volt DC	X	75 Ft.	X	Battery Clamps
1030061	Polyurethane	12-Volt DC	X	150 Ft.	X	Battery Clamps



PART NUMBERS & SCHEMATICS

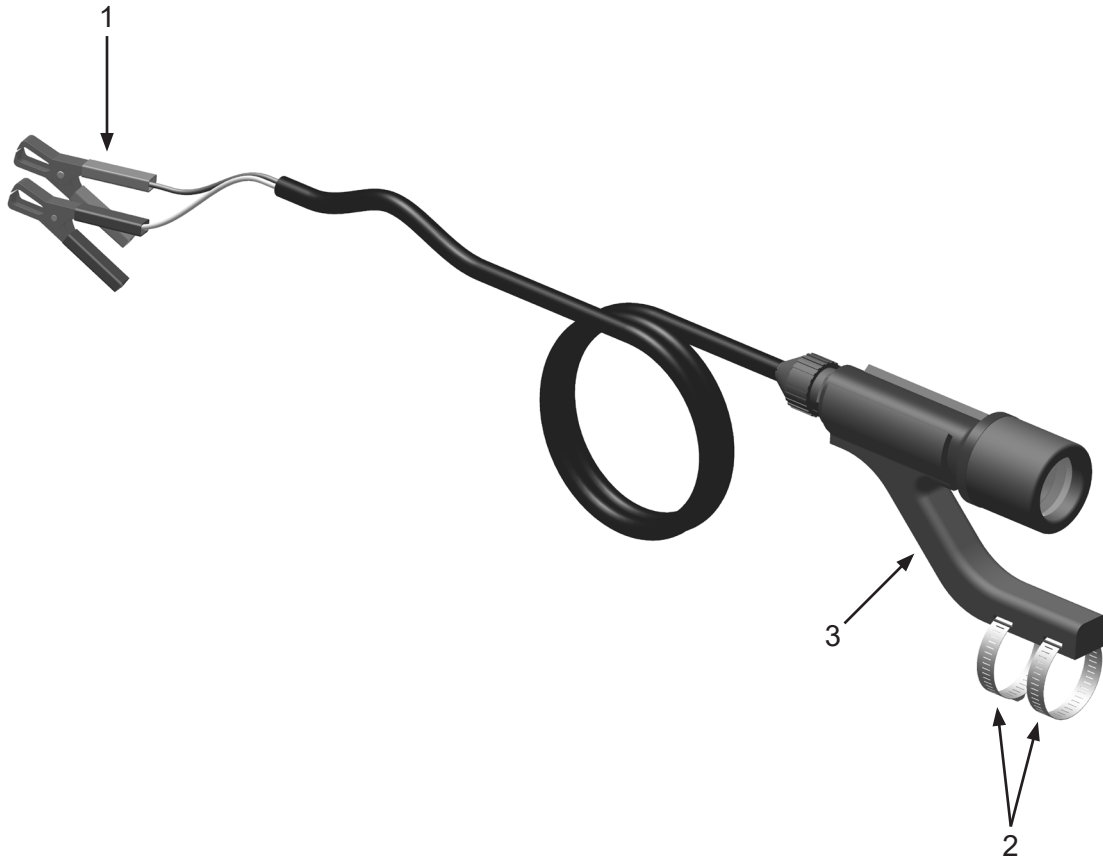
Figure 1: Marco® 300 Series Hose-Mounted Light with 120-Volt AC to 12-Volt AC Power Converter



Item #	Part #	Description
Fig. 1		
—	1030051	Marco® 300 Series Hose-Mounted Light with 75 Feet of 14/2 SEOW Electric Cord and 120-Volt AC to 12-Volt AC Power Converter (as shown) (Includes Item #'s: 1, 2 (Quantity of Two), and 3)
—	1030053	Marco® 300 Series Hose-Mounted Light with 150 Feet of 14/2 SEOW Electric Cord and 120-Volt AC to 12-Volt AC Power Converter (as shown) (Includes Item #'s: 1, 2 (Quantity of Two), and 3)
1	1030020	Marco® 120-Volt AC to 12-Volt AC Power Converter – Complete
2	1015503	Hose Clamps (Two Required)
3	1030011	Marco® 300 & 301 Series Light Stanchion (Includes Item #2 (Quantity of Two))

PART NUMBERS & SCHEMATICS

Figure 2: Marco® 300 Series Hose-Mounted Light with Battery Clamp Set



Item #	Part #	Description
Fig. 2		
—	1030060	Marco® 300 Series Hose-Mounted Light with 75 Feet of 14/2 SEOW Electric Cord and Battery Clamp Set (as shown) (Includes Item #'s: 1, 2 (Quantity of Two), and 3)
—	1030061	Marco® 300 Series Hose-Mounted Light with 150 Feet of 14/2 SEOW Electric Cord and Battery Clamp Set (as shown) (Includes Item #'s: 1, 2 (Quantity of Two), and 3)
1	1030718	Battery Clamp Set
2	1015503	Hose Clamps (Two Required)
3	1030011	Marco® 300 & 301 Series Light Stanchion (Includes Item #'s: 2 (Quantity of Two))

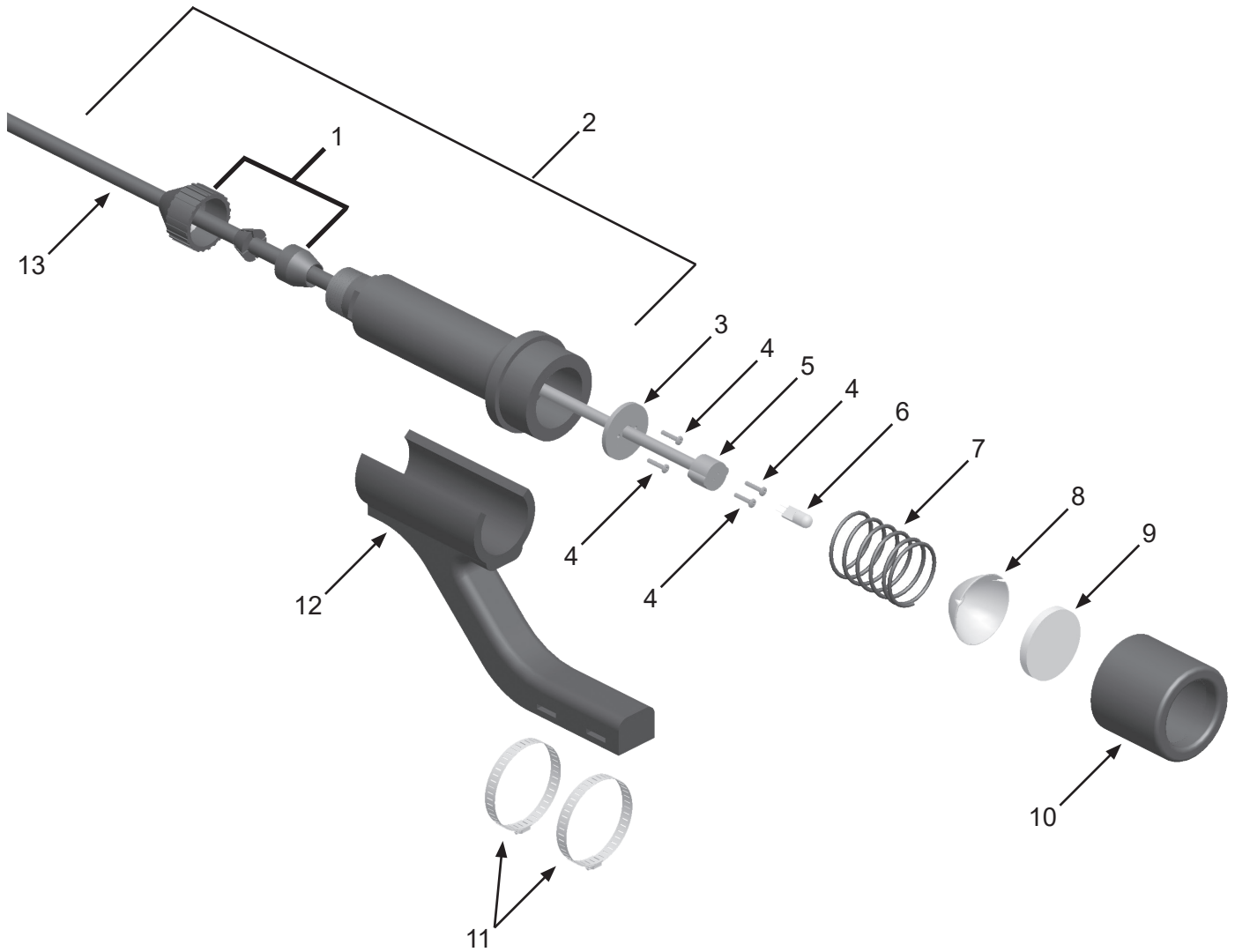
PART NUMBERS & SCHEMATICS

Marco® 300 Series Hose-Mounted Light Assembly

Item #	Part #	Description
Fig. 3		
—	1030000	Marco® 300 Series Hose-Mounted Light Assembly with 6 feet of Electric Cord
1	1030025	Strain Relief
2	1030003	Marco® 300 Series Light Body <i>(Includes Item # 1)</i>
3	1030018	Urethane Insert
4	1030015	#4 X 5/8" Panhead Phillips Metal Screw <i>(Four Required)</i>
5	1030014	Light Socket
6	1030001	Light Bulbs <i>(Package of 10)</i>
7	1030016	Spring
8	1030012	Reflector
9	1030017	Lenses <i>(Package of 12)</i>
10	1030002	Collar
11	1015503	Hose Clamps <i>(Two Required)</i>
12	1030011	Light Stanchion <i>(Includes Item #'s: 11 (Quantity of Two))</i>
13	1030013	14/2 SEOW Electric Cord <i>(Per Foot)</i>
—	106M004	Part Numbers and Schematics Guide – Marco® 300 Series Hose-Mounted Light
—	1090004	Operator's Manual – Marco® 300 Series Hose-Mounted Blast Light
—	1091046	Hazard Identification Tag

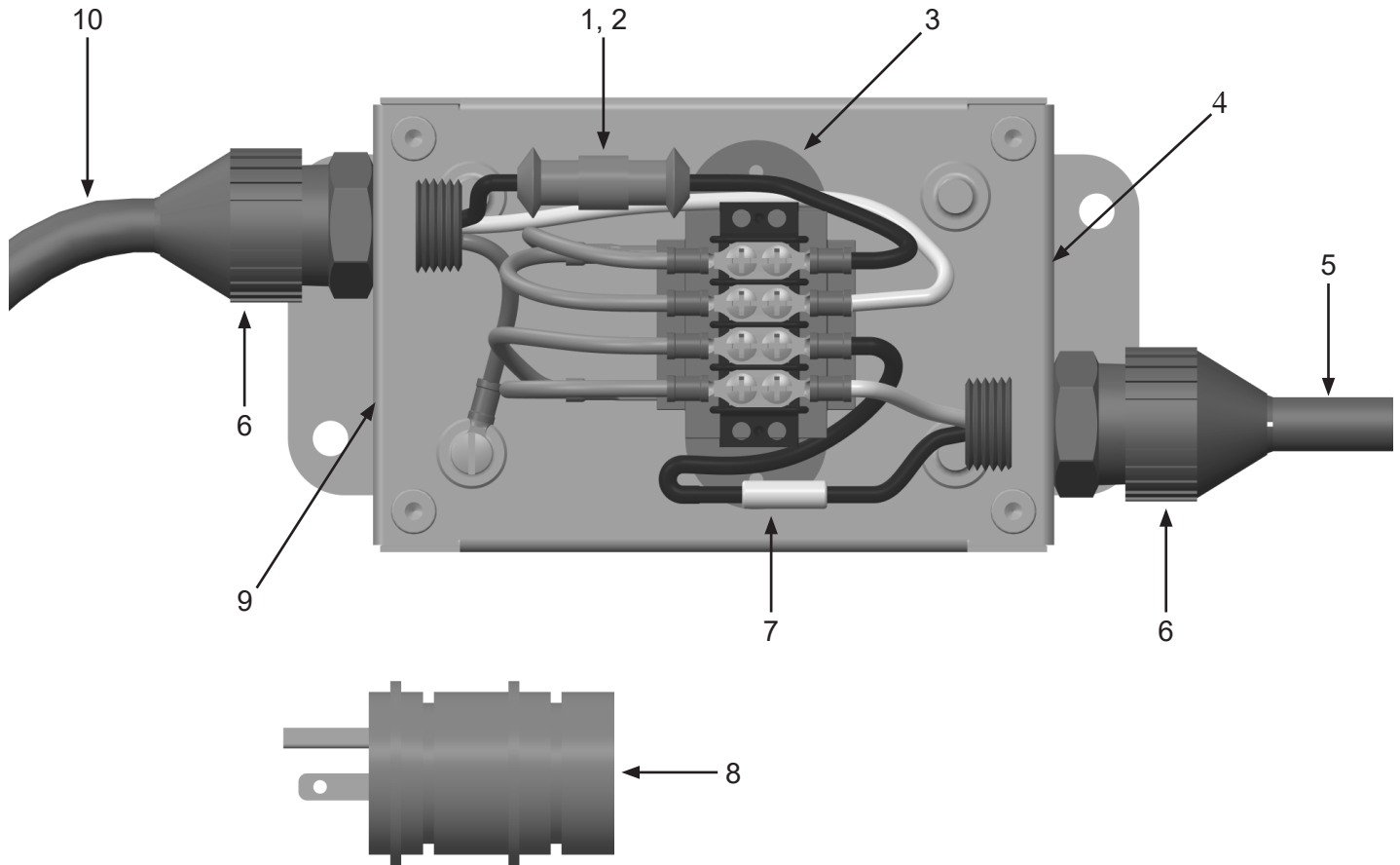
PART NUMBERS & SCHEMATICS

Figure 3: Marco® 300 Series Hose-Mounted Light Assembly



PART NUMBERS & SCHEMATICS

Figure 4: Marco® 120-Volt AC to 12-Volt AC Power Converter



Item #	Part #	Description
Fig. 4		
—	1030020	Marco® 120-Volt AC to 12-Volt AC Power Converter with 3 feet of 14/2 Electric Cord and Plug – Complete
1	1030024	2 Amp Fuse
2	1030023	In-Line Fuse Holder
3	1030022	Transformer – Marco 120-Volt AC to 12-Volt AC Power Converter
4	1091067	Power-Out Decal (<i>Not Shown</i>)
5	1030013	14/2 SEOW Electric Cord (<i>Per Foot</i>)
6	1030025	Strain Relief (<i>Two Required</i>)
7	1030021	Resistor
8	1030026	3-prong, 120-Volt AC Plug – Male
9	1092014	Power-In Decal (<i>Not Shown</i>)
10	1015550	14/3 SEOW Electric Cord (<i>Per Foot</i>)
—	1091063	Hazard Identification Decal

OPTIONAL ACCESSORIES



ELECTRIC CORD

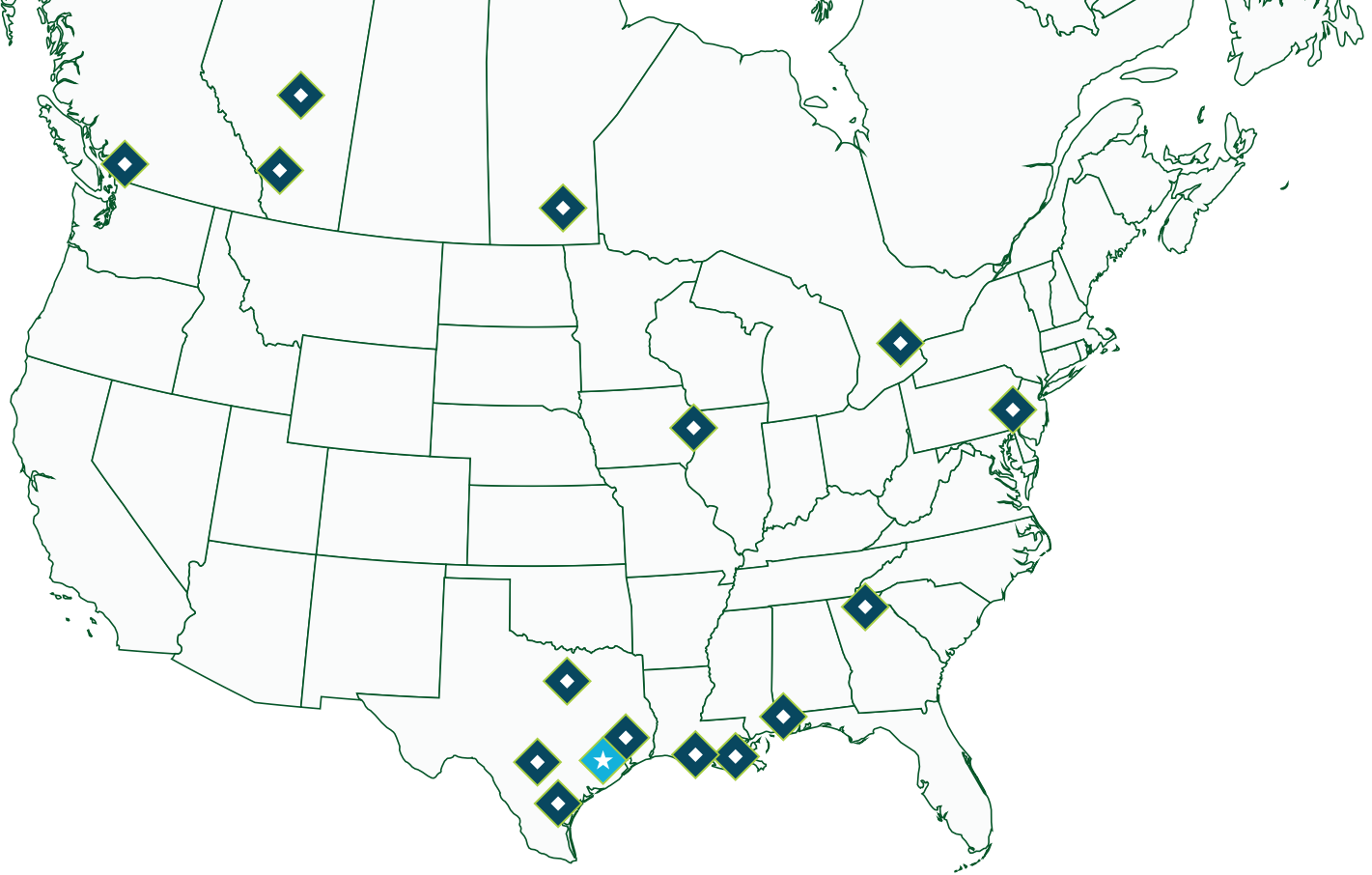
Part Numbers	Gauge	# of Wires	Type	Length
1030013	14	2	SEOOW	Per Foot
1015550	14	3	SEOOW	Per Foot
1015570	12	2	SOOW	Per Foot
1015571	12	3	SJEOOW	Per Foot
1015581	10	3	SEOOW	Per Foot
1015591	8	3	SEOOW	Per Foot
1015595	6	3	SEOOW	Per Foot

Part Numbers

STANCHIONS

Description

1030019	Marco® Low Profile Stanchion
1030038	Marco® Low Profile Stanchion with Clamps



ALLREDI THERE

Serving these industries: Bridge, Pipeline, Tank & Tower, Concrete Services, Rail, Shipyard & Marine, Pools & Fountains, and Foundry

UNITED STATES

Pasadena, TX (*Headquarters*)
844.361.7038

Beaumont, TX
409.722.1284

Bristol, PA
215.826.8080

Corpus Christi, TX
361.887.2038

Davenport, IA
563.324.2519

Deer Park, TX
(*Service & Rental Location*)
281.930.0905

Duluth, GA
800.535.4564

Gonzales, LA
225.647.7575

Harvey, LA
504.367.8090

Houma, LA
985.580.4273

Lafayette, LA
337.267.1440

Theodore, AL
251.338.7525

CANADA

Calgary, Alberta
403.279.1924

Coquitlam, BC
604.464.6979

Edmonton, Alberta
780.468.2588 (Manus)
780.425.5510 (Mod-U-Blast)

Hamilton, Ontario
905.527.6000 / 888.794.5665

Mississauga, Ontario
905.890.5837

Winnipeg, Manitoba
204.256.3324

800.BLAST.IT / WWW.ALLREDI-US.COM

Allredi™ and Marco® are registered trademarks of Allredi, LLC.
All other brand names or marks are used for identification purposes and are trademarks of their respective owners.

ALLREDI™

Literature #106M004_6/16/2023