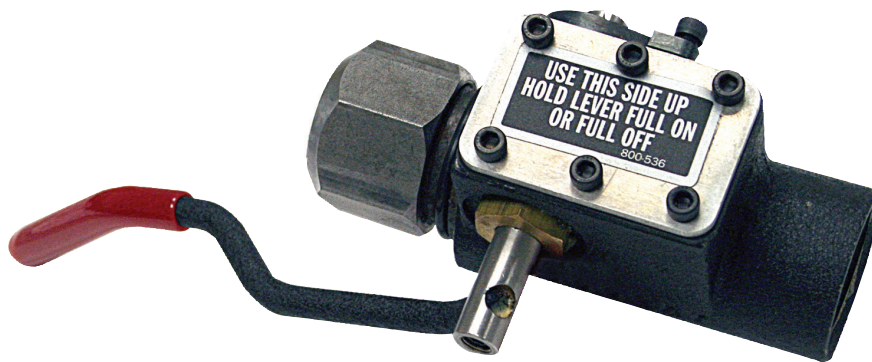




# BLASTMASTER® 153 REMOTE CONTROL VALVE



**BUILT MARCO TOUGH**  
MARCO MANUFACTURED

## PART NUMBERS AND SCHEMATICS GUIDE

## Company Profile

Since 1944, Marco has developed a strong tradition of providing innovative and reliable products and services to the surface preparation and protective coatings industries. We are the world's premier provider of Abrasives, Blasting, Coating, Dust Collectors, Engineered Systems, Rental, Safety, Service, Repair, & Modernization, and Vacuums.

Through innovative designs and a total commitment to quality, Marco manufactures products that increase production rates, create a safer workplace, and reduce maintenance costs. Marco's industry experience, manufacturing capabilities, legendary customer service, product availability, logistics services, and technology leadership is your assurance that we deliver high quality products and services, providing the best value to you, our customer.

## The Marco Difference

- **Industry Experience** – With Marco on your team, you have access to expertise which can only come from decades of industry leadership. We have organized our engineering department, production specialists, customer operations, and safety support into a "Center of Competence." As a Marco customer, you have access to hundreds of years of cumulative experience related to your operations.
- **Manufacturing Excellence** – Marco is a manufacturer of equipment for the Surface Preparation and Protective Coatings industries. Marco's engineers benchmark the industry to ensure that we design and manufacture superior products that set the "Gold Standard" for performance, safety, and quality.
- **Legendary Customer Service** – Marco's legendary customer service team is staffed by friendly, highly-trained individuals who are focused on providing the highest level of product support, order accuracy, and customer satisfaction.
- **Product Availability** – We stock over 10,000 SKU's and have more than 45 shipping locations to serve North American and International markets for all major brands of blasting and coating equipment. As the largest provider of surface preparation and protective coatings equipment in the world, our inventory levels and product availability are unmatched.
- **Logistics Services** – Marco's in-house logistics team is dedicated to moving your shipment anywhere in the world. We move more than 14,000 truckloads every year, allowing you to save on freight costs by leveraging our buying power. Lower your process costs with a single invoice, which includes product and freight.
- **Technology Leadership** – Our website provides: Operator's Manuals, Part Numbers and Schematics Guides, SDS information, and Features & Specifications Guides, providing access to information 24/7. Our Extranet application allows you to receive quotes and place orders online. Our Intranet maintains a complete record of your purchase history to assist with ongoing support of your existing equipment and future purchasing decisions.

## Vision Statement

Marco is the world's premier provider of Abrasives, Blasting, Coating, Dust Collectors, Engineered Systems, Rental, Safety, Service, Repair, & Modernization, and Vacuums.

## Mission Statement

Marco provides strong leadership and innovation to the surface preparation and protective coatings industries. We dedicate our efforts to the continuous improvement of our products, services, processes, people, and most importantly, the quality of our customer's experience.

## Quality Statement

Marco is committed to providing superior quality in the design, manufacturing, distribution, rental, service, and repair of our products. Continuous improvement of our processes and supply chain Integration comprise the core of our business strategy for delivering exceptional quality and value in all Marco products and services.

## Management Philosophy

We are a company dedicated to the success of every customer and associate. We discuss, debate, challenge, measure, and test our ideas. We will be boundless and limitless in our passion to improve. Through sound leadership and dedicated associates, we will ensure a long term, profitable future for Marco, our associates, customers, and suppliers.

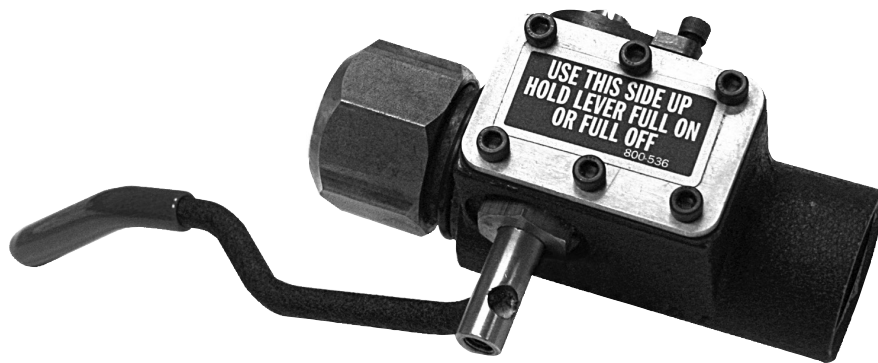
# TABLE OF CONTENTS

<b>Company Profile</b> .....	<b>1</b>
<b>Table of Contents</b> .....	<b>2</b>
<b>Blastmaster® 153 Remote</b>	
<b>Control Valve</b> .....	<b>3-8</b>
Part Number .....	3-4
Part Numbers & Schematics .....	5-6
Optional Accessories .....	7-8
Hose End Assemblies .....	7
Type I Ceramic Nozzles .....	7
Threaded Nozzle Conversion Kit .....	8
<b>Maintenance Notes</b> .....	<b>9-10</b>

# PART NUMBER

<b>BLASTMASTER® 153 REMOTE CONTROL VALVE</b>			
<b>Part Numbers</b>	<b>Valve Body Material</b>	<b>Repairable</b>	<b>Nozzle Cap</b>
10L66EVD	Cast Iron	Yes	Yes

# BLASTMASTER® 153 REMOTE CONTROL VALVE



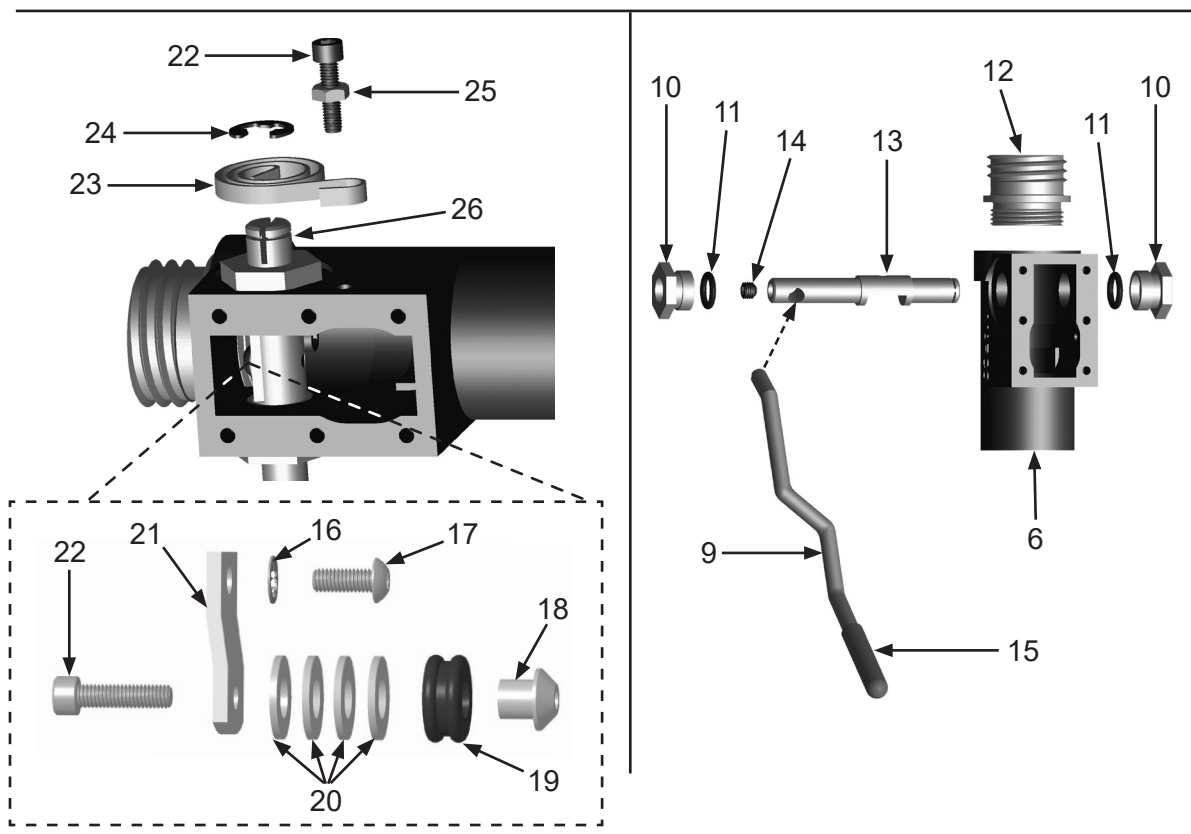
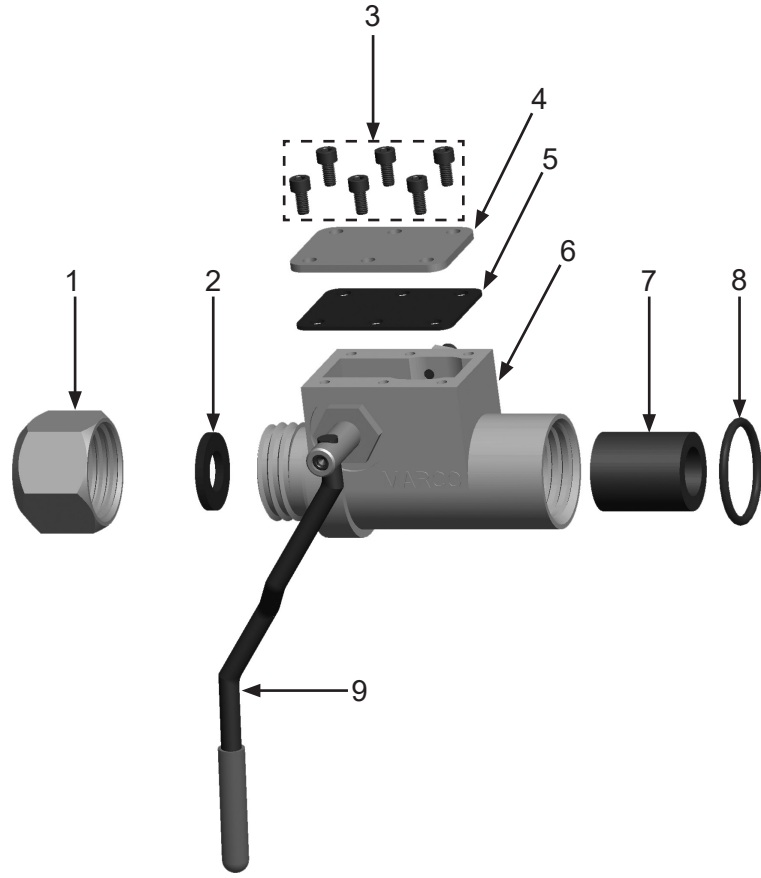
## PART NUMBERS & SCHEMATICS

### Blastmaster® 153 Remote Control Valve

Item #	Part #	Description
<b>Fig. 1</b>		
—	<b>10L66EVD</b>	<b>Blastmaster® 153 Remote Control Valve – Complete</b>
1	10L100164	Nozzle Cap <i>(Use with Type I Ceramic Nozzles) (See Figure 3)</i>
2	10L66CHW	Nozzle Washer for Ceramic Nozzle
3	10L805531	10-32 x 3/8" Socket Cap Screw <i>(Six Required)</i>
4	10L100170	Cover
5	10L66EVG	Cover Gasket
6	10L100018	Valve Body
7	10L800236	Rubber Liner – 3/4" I.D. Abrasive Blasting Hose <i>(See Figure 2)</i>
8	10L66RR	O-Ring
9	10L66VHD	Valve Lever <i>(Includes Item #15)</i>
10	10L66TB	Spindle Bushing <i>(Two Required)</i>
11	10L15300	Spindle O-Ring <i>(Two Required)</i>
12	10L100134	Valve Insert
13	10L100070	Valve Spindle
14	10L800217	5/16-24 x 1/4" Spindle Set Screw
15	10L800338	Lever Grip
16	10L805034	Star Washer
17	10L800218	10-32 x 1/2" Hex Screw
18	10L66EVST	Valve Disc Stem
19	10L66RW	Rubber Valve Washer
20	1014017	1/4" Flat Washer <i>(Four Required)</i>
21	10L100041	Shut-off Arm
22	10L805533	10-32 x 3/4" Hex Head Screw <i>(Two Required)</i>
23	10L66VSS	Torsion Spring
24	10L800149	Spindle E-Clip
25	10L804322	10-32 Nut
—	10L66EVDR	Blastmaster® 153 Remote Control Valve Service Kit <i>(Includes Item #'s: 3, 7, 8, 16–19 (Quantity of Six), 20 (Quantity of Four), 21, and 22 (Quantity of Two))</i>
—	105M034	Features and Specifications Guide – Blastmaster® 153 Remote Control Valve
—	106M034	Part Numbers and Schematics Guide – Blastmaster® 153 Remote Control Valve
—	1090034	Operator's Manual – Blastmaster® 153 Remote Control Valve
—	1091033	Cover Sticker
—	1091045	Hazard Identification Tag

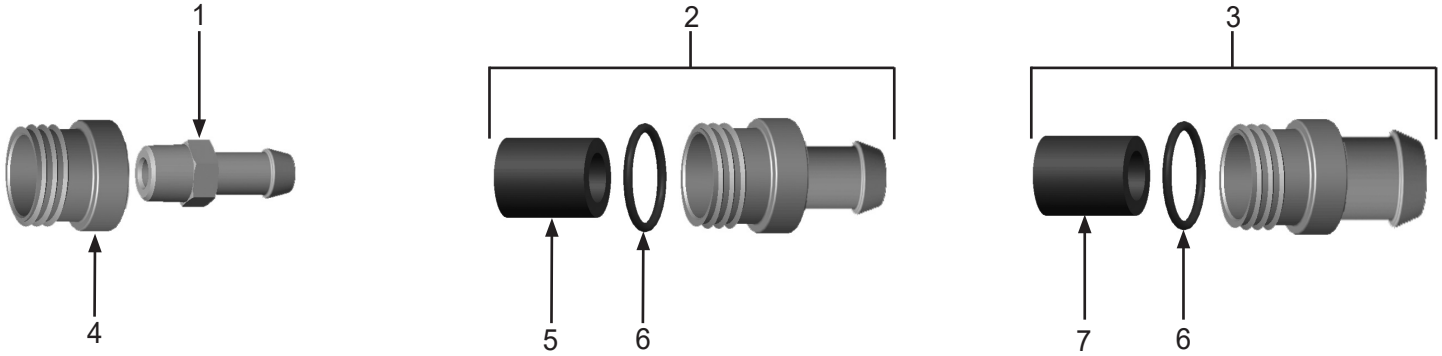
# PART NUMBERS & SCHEMATICS

Figure 1: Blastmaster® 153 Remote Control Valve



## OPTIONAL ACCESSORIES

**Figure 2: Hose End Assemblies**



Item #	Part #	Description
--------	--------	-------------

**Fig. 2**

1	10L174	Hose End for 1/2" I.D. Abrasive Blasting Hose
2	10L366HE	Hose End for 3/4" I.D. Abrasive Blasting Hose <i>(Includes Item #'s: 5 and 6)</i>
3	10L466HE	Hose End for 1" I.D. Abrasive Blasting Hose <i>(Includes Item #'s: 6 and 7)</i>
4	10L66B	Nozzle Holder Base
5	10L800236	Rubber Liner for 3/4" I.D. Abrasive Blasting Hose
6	10L66RR	O-Ring
7	10L800237	Rubber Liner for 1" I.D. Abrasive Blasting Hose

**Figure 3: Type I Ceramic Nozzles**

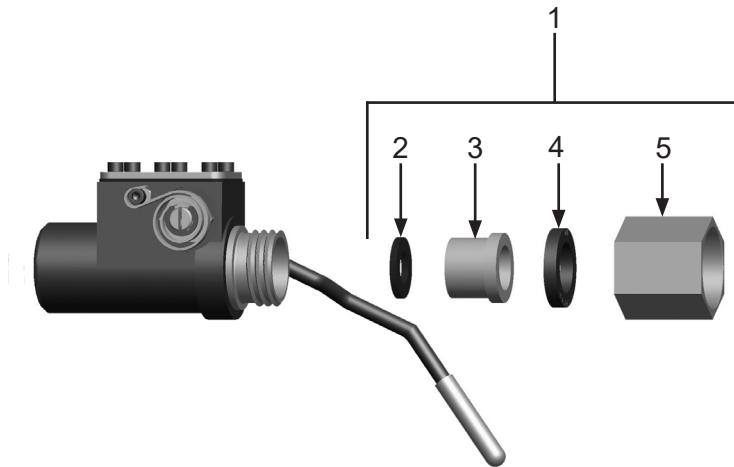


TYPE I CERAMIC NOZZLES					
Part Numbers	Size	Orifice Size	Nozzle Entry	Overall Length	Abrasive Mesh Size
10CN051	1	3/32"	5/8"	3-3/4"	100 Mesh or Finer
10CN251	2	1/8"	5/8"	3-3/4"	60 Mesh or Finer
10CN21251	2-1/2	5/32"	5/8"	3-3/4"	50 Mesh or Finer
10CN351	3	3/16"	5/8"	3-3/4"	50 Mesh or Finer
10CN451	4	1/4"	5/8"	3-3/4"	40 Mesh or Finer
10CN551	5	5/16"	5/8"	3-3/4"	20 Mesh or Finer
10CN651	6	3/8"	5/8"	3-3/4"	12 Mesh or Finer



## OPTIONAL ACCESSORIES

Figure 4: Threaded Nozzle Conversion Kit



Item #	Part #	Description
--------	--------	-------------

Fig. 4

1	10L100222	<b>Threaded Nozzle Conversion Kit</b> <i>(Includes Item #'s: 2, 3, 4, and 5)</i>
---	-----------	---

2	10L66CHW	Nozzle Washer
---	----------	---------------

3	10L66HS	Spacer
---	---------	--------

4	10NW	Nozzle Washer
---	------	---------------

5	10L66NCNV	Threaded Adapter
---	-----------	------------------

—	—	Threaded Nozzle <i>(Not Included. Contact Marco for details)</i>
---	---	--

# MAINTENANCE NOTES

DATE	TYPE OF SERVICE	PART NUMBER



## CONTACT CENTER

- 3425 East Locust Street  
Davenport, IA 52803

ph: 800.BLAST.IT (800.252.7848)  
ph: 563.324.2519  
fax: 563.324.6258

## REGIONAL BRANCH OFFICES

- Iowa  
Davenport
- Louisiana  
Gonzales  
Lafayette
- Ohio  
Youngstown
- Texas  
Beaumont  
Corpus Christi  
Deer Park

## 40+ NATIONWIDE SHIPPING LOCATIONS



★ Marco Regional Branch Offices  
and Shipping Locations

● Direct Shipping Locations



ABRASIVES  
BLASTING  
COATING  
DUST COLLECTION  
RENTAL & SERVICE  
SAFETY  
VACUUMS

## CONTACT MARCO

800.BLAST.IT  
(800.252.7848)  
563.324.2519  
FAX: 563.324.6258

WWW.MARCO.US  
SALES@MARCO.US