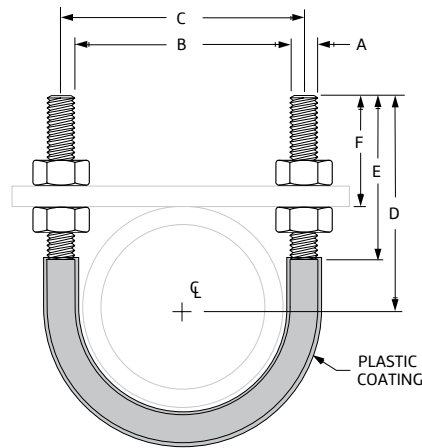


## Plastic Coated U-Bolts Fig. 137C



**Size Range:** ½" through 8"

**Material:** Carbon steel U-bolt and four finished hex nuts. Formed portion of the U-bolt is plastic coated.

**Maximum Temperature:** 225° F

**Service:** Recommended for support or guide for glass, copper, brass and aluminum pipe.

**Approvals:** Complies with Federal Specification A-A-1192A (Type 24), WW-H-171-E (Type 24), ANSI/MSS SP-69 and MSS SP-58 (Type 24).

**Ordering:** Specify pipe size x rod size (e.g., 2 x ¾), figure number and name. If hex nuts are not required, specify "without hex nuts".



**Fig. 137C: Dimensions (in) • Loads (lbs) • Weight (lbs)**

Pipe Size	Rod Size A	Max Load	Weight	B	C	D	E	F
½			0.11	15/16	1 3/16			2 5/16
¾	¼	580	0.12	1 1/8	1 3/8	2 3/4		2 7/32
1			0.12	1 3/8	1 5/8		2 1/8	2 3/32
1 ¼			0.28	1 11/16	2 1/16	2 7/8		2 1/32
1 ½	3/8	1,460	0.30	2	2 3/8	3		2 1/16
2			0.33	2 7/16	2 13/16	3 ¼	2 ½	
2 ½			0.73	2 15/16	3 7/16	3 ¾		2 5/16
3			0.78	3 9/16	4 1/16	4		
3 ½	½	2,700	0.84	4 1/16	4 9/16	4 ¼	3	2 ¼
4			0.90	4 9/16	5 1/16	4 ½		
5			1.00	5 5/8	6 1/8	5		2 7/32
6			2.00	6 ¾	7 3/8	6 1/8		
8	5/8	4,320	2.30	8 ¾	9 3/8	7 1/8	3 ½	2 13/16

PROJECT INFORMATION	APPROVAL STAMP
Project:	Approved
Address:	Approved as noted
Contractor:	Not approved
Engineer:	Remarks:
Submittal Date:	
Notes 1:	
Notes 2:	