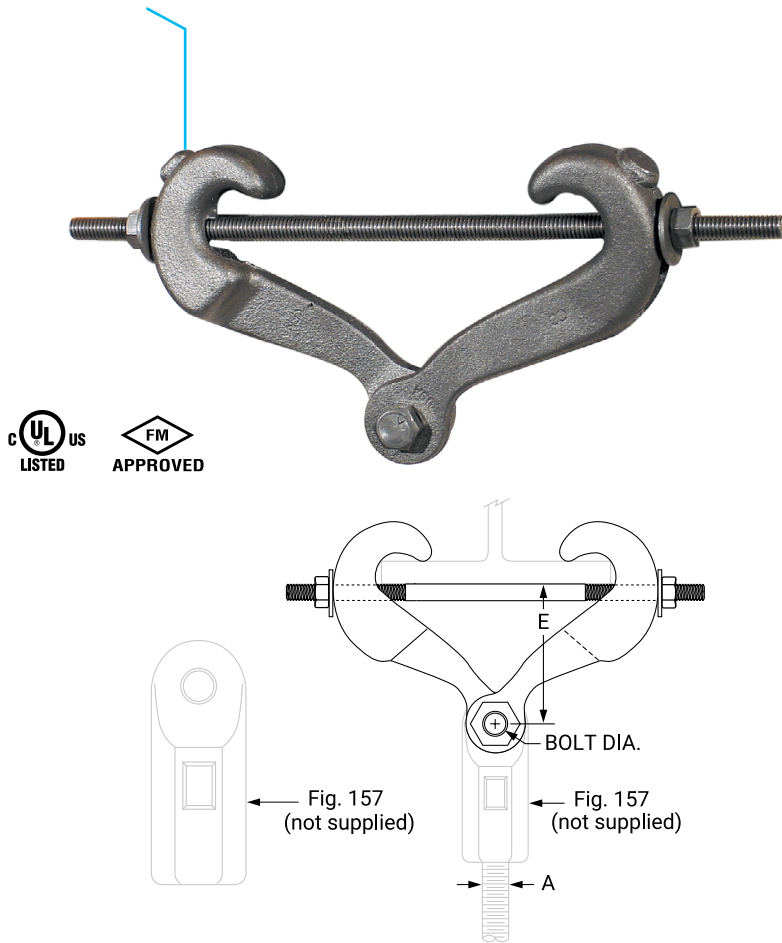


Malleable Beam Clamp without Extension Piece Fig. 218



Material Specifications

Material

Malleable iron jaw, steel tie rod, nuts and washer.

Finish

- Plain
- Zinc Plated

Service

Recommended for attachment to structural steel. Use in conjunction with beams where beam widths are from 2 3/8" minimum to 7" maximum and flange thickness does not exceed 0.60".

Approvals

Complies with Federal Specification A-A-1192A (Type 30), WW-H-171-E (Type 30), ANSI/MSS SP-69 and MSS SP-58 (Type 30).

UL, ULC Listed (Sizes 3/4" - 12" pipe size, when used with the Fig. 157 extension piece 3/8" - 7/8" rod sizes).

FM Approved (Sizes 3/4" - 4" pipe size, when used with the Fig. 157 extension piece 3/8" rod size).

Installation

The malleable beam clamp Fig. 218 may be used with an eye rod, or Fig. 157 extension piece.

Features

- Functional design insures proper fit for all beam sizes.
- Tie rod locks clamp in place when nuts are tightened.
- Ordering and stocking simplified because of one universal size.
- Design allows hanger rod to swing from vertical providing flexibility at the beam clamp.

Ordering

Specify figure number, name and finish.

Note

When used with Fig. 157 extension piece, an additional inch or more of vertical adjustment is obtained.

Dimensions (In) - Load (Lbs) - Weight (Lbs)

Max Rod Size A	Max Load ■	Weight	Width of Beam Flange (in)							Bolt Diameter
			Rod Take Out - E (in)							
			2 3/8	3	4	5	6	7		
In.	Lbs.	Lbs.	In.	In.	In.	In.	In.	In.	In.	In.
7/8	1,365	2.2	3 1/2	3 7/16	3 5/16	2 15/16	2 9/16	1 7/8	7/16	

Note: ■ See technical data section of the pipe hanger catalog for load capacity of rod.



PROJECT INFORMATION	APPROVAL STAMP
Project:	Approved
Address:	Approved as noted
Contractor:	Not approved
Engineer:	Remarks:
Submittal Date:	
Notes 1:	
Notes 2:	