

Feature

Cast iron body
 FNPT (ASME B1.20.1 - NPT)
 200 CWP
 125 WSP

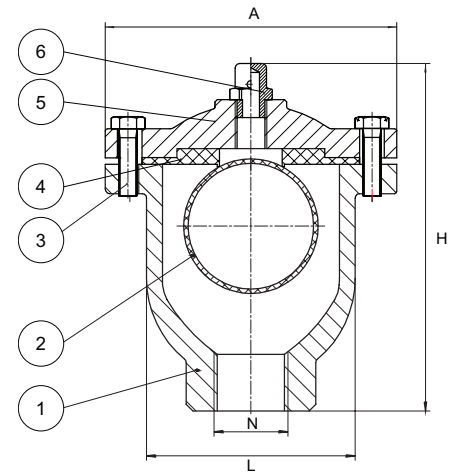
Working conditions:

Water: from 32°F to 230°F
 over 212°F only for water with added anti-boiling fluids



Material

	Part	Material	Specification
1	Body	Cast Iron	ASTM A126 B
2	Floating	Stainless Steel	ANSI 304
3	Bolt	Stainless Steel	ASTM A193 B8
4	Gasket	EPDM	-
5	Cover	Cast Iron	ASTM A126 B
6	Vent	Brass	ASTM B124 C37700



Dimension, Weight

Size	N	A [in]	L [in]	H [in]	Weight [lb]
1/2"	1/2 - 14 NPT	5.03	3.74	6.10	9.48
3/4"	3/4 - 14 NPT	5.03	3.74	6.10	9.48
1"	1 - 11.5 NPT	5.03	3.74	6.10	9.70