



# Figure # 880

Stainless Globe Valve (1/2"-2")

## Product Features

- 200# WSP/WOG
- Stainless Steel Body & Trim
- Threaded Ends
- Inserted bonnet
- Swivel Type Disc



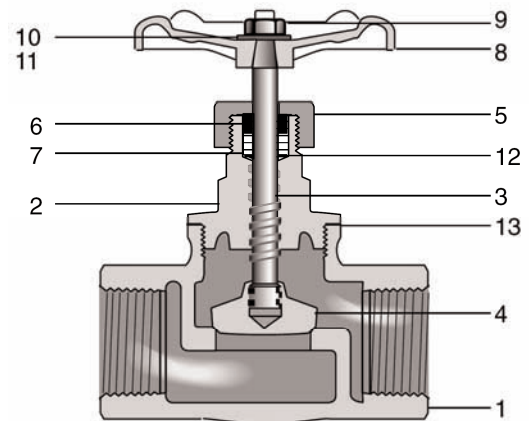
### Pressure/Temperature Ratings

200# WSP/WOG

350 degrees F. max temp.

## Materials & Specifications

Item	Description	Material	Specification
1	Body	Stainless Steel	A351 CF8M
2	Bonnet	Stainless Steel	A351 CF8M
3	Stem	Stainless Steel	A276 - 316
4	Disc	Stainless Steel	A276 - 316
5	Packing Nut	Stainless Steel	A276 - 316
6	Gland	Stainless Steel	A276 - 304
7	Packing	PTFE	-
8	Handwheel	Aluminum	B85
9	Handwheel Nut	Stainless Steel	A276 - 304
10	Name Plate	Aluminum	B85
11	Washer	Stainless Steel	A276 - 304
12	Washer	Stainless Steel	A276 - 304
13	Gasket	PTFE	-



## Dimensions, Weights (inches-lbs.) & Valve Data

Size	1/2	3/4	1	1-1/4	1-1/2	2
D	2.24	2.76	3.15	3.54	3.54	3.94
H	3.5	3.82	4.21	4.92	5.51	6.5
L	2	2.36	2.83	3.15	3.58	3.98
Wt.- lbs.	.79	1.26	1.8	2.7	4	5.4

