

Feature

- 600# WOG
- DZR lead free brass body
- Full port design
- Chrome plated ball
- Double ball valve body for isolation
- High flow hose drains with cap and chain
- Adjustable packing gland
- FNPT connections
- Virgin PTFE seats
- Blow-out proof stem

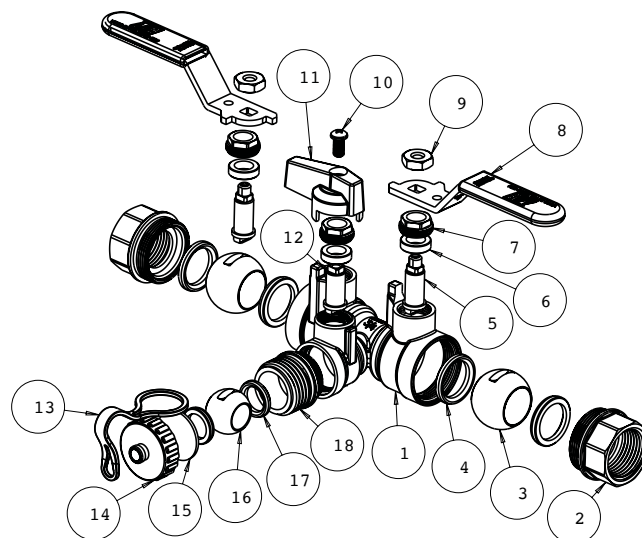


Working conditions:

- Water: from 15°F to 260°F
- below 32°F only for water with added antifreezing fluids
- over 212°F only for water with added anti-boiling fluids

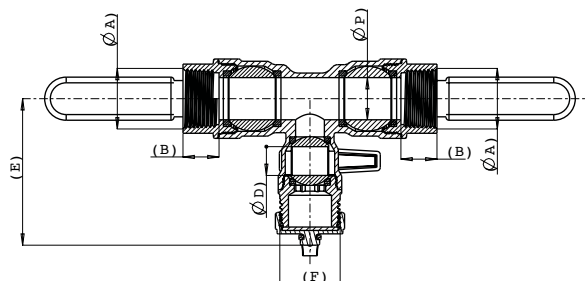
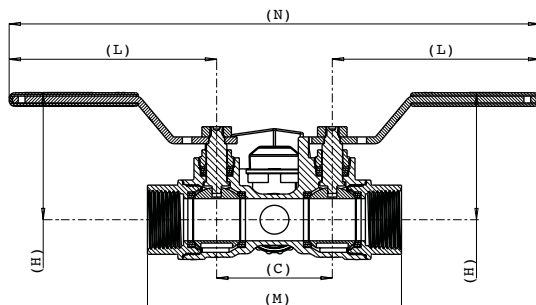
Material

	Part	Material	Specification
1	Body	DZR Lead Free Brass	ASTM B927 C27453
2	Fixed end	DZR Lead Free Brass	ASTM B927 C27453
3	Ball	LF Brass / Cr plated	ASTM B927 C27450
4	Seat	PTFE	-
5	Stem	DZR Lead Free Brass	ASTM B927 C27453
6	Packing ring	PTFE	-
7	Packing nut	Brass	ASTM B124 C37700
8	Handle	Steel / Dacromet® plated	ASTM A36
9	Nut	Steel / Zn plated	ASTM A36
10	Screw	Steel / Zn plated	ASTM A36
11	Handle	Aluminum	ASTM B85
12	Stem	DZR Lead Free Brass	ASTM B927 C27453
13	Tie	Rubber	-
14	Drain cap	Brass	ASTM B283 C37700
15	Drain cap gasket	EPDM Perox	NSF approved
16	Ball	LF Brass / Cr plated	ASTM B927 C27450
17	Seat	PTFE	-
18	Fixed end	DZR Lead Free Brass	ASTM B927 C27453



Dimension, Weight

Size	φA [in]	B [in]	C [in]	φD [in]	E [in]	F [in]	H [in]	L [in]	M [in]	N [in]	φP [in]	Wt. [lb]
¾"	¾ - 14NPT	0.63	2.01	0.50	2.54	¾-11.5NH	2.20	3.60	4.41	9.21	0.73	1.58
1"	1 - 11.5NPT	0.75	2.13	0.50	2.54	¾-11.5NH	2.57	4.98	5.09	12.1	0.98	2.46
1¼"	1¼ - 11.5NPT	0.77	2.72	0.73	3.02	¾-11.5NH	2.74	4.98	6.02	12.7	1.23	3.10



Feature

- 600# WOG
- DZR lead free brass body
- Full port design
- Chrome plated ball
- Double ball valve body for isolation
- High flow hose drains with cap and chain
- Adjustable packing gland
- Solder connections
- Virgin PTFE seats
- Blow-out proof stem

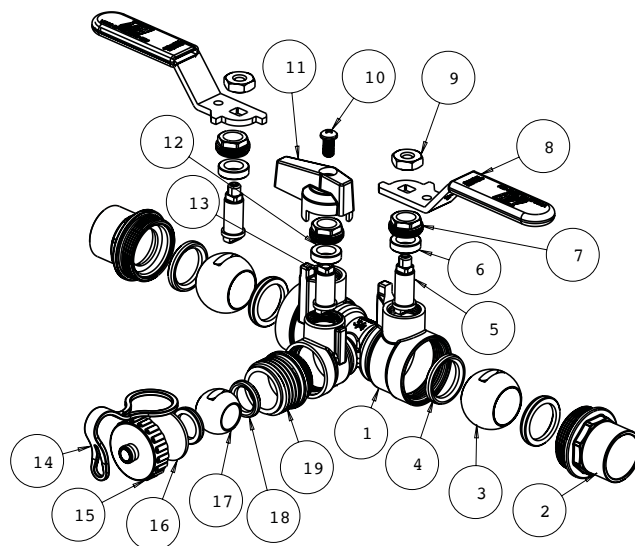


Working conditions:

Water: from 15°F to 260°F
 below 32°F only for water with added antifreezing fluids
 over 212°F only for water with added anti-boiling fluids

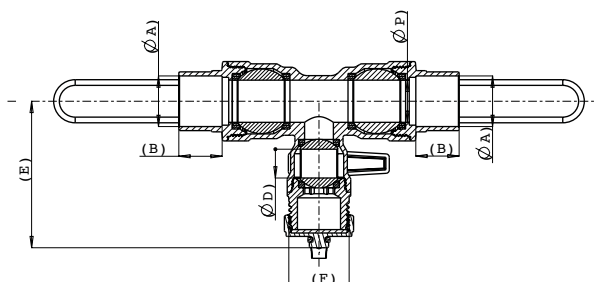
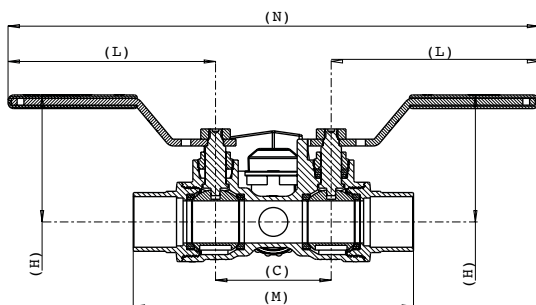
Material

	Part	Material	Specification
1	Body	DZR Lead Free Brass	ASTM B927 C27453
2	Fixed end	DZR Lead Free Brass	ASTM B927 C27453
3	Ball	LF Brass / Cr plated	ASTM B927 C27450
4	Seat	PTFE	-
5	Stem	DZR Lead Free Brass	ASTM B927 C27453
6	Packing ring	PTFE	TF1502
7	Packing nut	Brass	ASTM B124 C37700
8	Handle	Steel / Dacromet® plated	ASTM A36
9	Nut	Steel / Zn plated	ASTM A36
10	Screw	Steel / Zn plated	ASTM A36
11	Handle	Aluminum	ASTM B85
12	Packing ring	PTFE	-
13	Stem	DZR Lead Free Brass	ASTM B927 C27453
14	Tie	Rubber	-
15	Drain cap	Brass	ASTM B283 C37700
16	Drain cap gasket	EPDM Perox	NSF approved
17	Ball	LF Brass / Cr plated	ASTM B927 C27450
18	Seat	PTFE	-
19	Fixed end	DZR Lead Free Brass	ASTM B927 C27453



Dimension, Weight

Size	φA [in]	B [in]	C [in]	φD [in]	E [in]	F [in]	H [in]	L [in]	M [in]	N [in]	φP [in]	Wt. [lb]
¾"	0.877 - 0.881	0.75	2.01	0.50	2.54	¾-11.5NH	2.20	3.60	4.87	9.21	0.73	1.55
1"	1.128 - 1.131	0.91	2.13	0.50	2.54	¾-11.5NH	2.57	4.98	5.62	12.1	0.98	2.37
1¼"	1.377 - 1.381	0.98	2.72	0.73	3.02	¾-11.5NH	2.74	4.98	6.55	12.7	1.23	2.92



Feature

- 250# WOG
- DZR lead free brass body
- Full port design
- Chrome plated ball
- Double ball valve body for isolation
- High flow hose drains with cap and chain
- Adjustable packing gland
- EzPress connections
- Virgin PTFE seats
- Blow-out proof stem

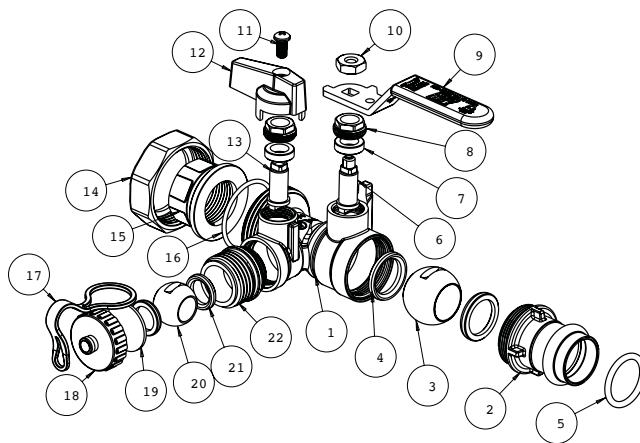


Working conditions:

- Water: from 15°F to 260°F
- below 32°F only for water with added antifreezing fluids
- over 212°F only for water with added anti-boiling fluids

Material

	Part	Material	Specification
1	Body	DZR Lead Free Brass	ASTM B927 C27453
2	Fixed end	DZR Lead Free Brass	ASTM B927 C27453
3	Ball	LF Brass / Cr plated	ASTM B927 C27450
4	Seat	PTFE	-
5	Stem	DZR Lead Free Brass	ASTM B927 C27453
6	Packing ring	PTFE	-
7	Packing nut	Brass	ASTM B124 C37700
8	Handle	Steel / Dacromet® plated	ASTM A36
9	Nut	Steel / Zn plated	ASTM A36
10	Screw	Steel / Zn plated	ASTM A36
11	Handle	Aluminum	ASTM B85
12	Stem	DZR Lead Free Brass	ASTM B927 C27453
13	Tie	Rubber	-
14	Drain cap	Brass	ASTM B283 C37700
15	Drain cap gasket	EPDM Perox	NSF approved
16	Ball	LF Brass / Cr plated	ASTM B927 C27450
17	Seat	PTFE	-
18	Fixed end	DZR Lead Free Brass	ASTM B927 C27453
19	O-ring	EPDM Perox 70SH	NSF approved



Dimension, Weight

Size	φA [in]	B [in]	C [in]	φD [in]	E [in]	F [in]	H [in]	L [in]	M [in]	N [in]	φP [in]	Wt. [lb]
¾"	0.89	0.98	2.01	0.50	2.54	¾-11.5NH	2.20	3.60	5.87	9.21	0.73	1.64
1"	1.14	1.06	2.13	0.50	2.54	¾-11.5NH	2.57	4.98	6.32	12.1	0.98	2.43
1¼"	1.39	1.06	2.72	0.73	3.02	¾-11.5NH	2.74	4.98	7.13	12.7	1.23	3.00

