

Feature

- 600# WOG
- DZR lead free brass body
- Full port design
- Chrome plated ball
- Union body ball valve
- High flow hose drains with cap and chain
- Adjustable packing gland
- FNPT x FNPT
- Virgin PTFE seats
- Blow-out proof stem
- AB 1953, NSF/ANSI 61 & 372

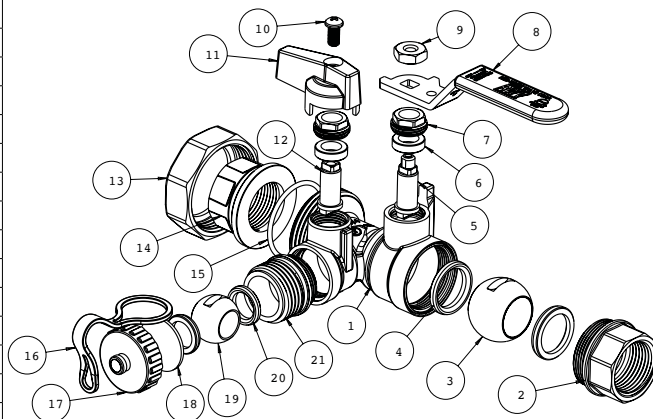


Working conditions:

- Water: from 15°F to 260°F
- below 32°F only for water with added antifreezing fluids
- over 212°F only for water with added anti-boiling fluids

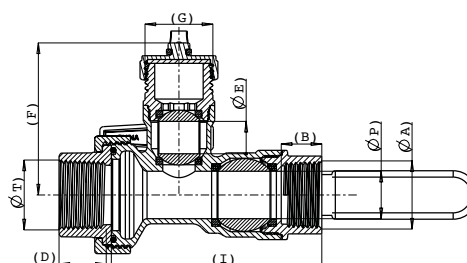
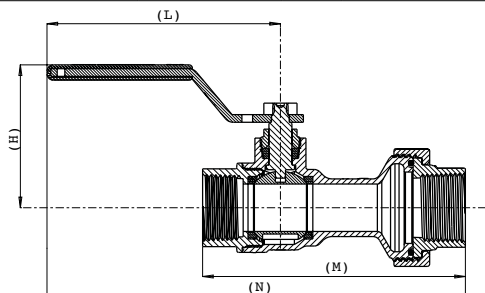
Material

| | Part | Material | Specification |
|----|------------------|--------------------------|------------------|
| 1 | Body | DZR Lead Free Brass | ASTM B927 C27453 |
| 2 | Fixed end | DZR Lead Free Brass | ASTM B927 C27453 |
| 3 | Ball | LF Brass / Cr plated | ASTM B927 C27450 |
| 4 | Seat | PTFE | - |
| 5 | Stem | DZR Brass | ASTM B927 C27453 |
| 6 | Packing ring | PTFE | - |
| 7 | Packing nut | Brass | ASTM B124 C37700 |
| 8 | Handle | Steel / Dacromet® plated | ASTM A36 |
| 9 | Nut | Steel / Zn plated | ASTM A36 |
| 10 | Screw | Steel / Zn plated | ASTM A36 |
| 11 | Handle | Aluminum | ASTM B85 |
| 12 | Stem | DZR Lead Free Brass | ASTM B927 C27453 |
| 13 | Union nut | Brass | ASTM B283 C37700 |
| 14 | Union | DZR Lead Free Brass | ASTM B927 C27453 |
| 15 | O-ring | EPDM Perox 70SH | NSF approved |
| 16 | Tie | Rubber | - |
| 17 | Drain cap | Brass | ASTM B283 C37700 |
| 18 | Drain cap gasket | EPDM Perox | NSF approved |
| 19 | Ball | LF Brass / Cr plated | ASTM B927 C27450 |
| 20 | Seat | PTFE | - |
| 21 | Fixed end | DZR Lead Free Brass | ASTM B927 C27453 |



Dimension, Weight

| Part # | φA [in] | B [in] | φT [in] | D [in] | φE [in] | F [in] | G [in] | H [in] | I [in] | L [in] | M [in] | N [in] | φP [in] | Wt. [lb] |
|----------------|--------------|--------|--------------|--------|---------|--------|----------|--------|--------|--------|--------|--------|---------|----------|
| 8060T 075T075T | ¾ - 14NPT | 0.63 | ¾ - 14NPT | 0.73 | 0.50 | 2.35 | ¾-11.5NH | 2.20 | 3.25 | 3.60 | 4.06 | 6.46 | 0.73 | 1.41 |
| 8060T 100T100T | 1 - 11.5NPT | 0.75 | 1 - 11.5NPT | 0.75 | 0.50 | 2.54 | ¾-11.5NH | 2.57 | 3.66 | 4.98 | 4.66 | 8.15 | 0.98 | 2.03 |
| 8060T 125T125T | 1¼ - 11.5NPT | 0.77 | 1¼ - 11.5NPT | 0.77 | 0.73 | 3.02 | ¾-11.5NH | 2.74 | 4.25 | 4.98 | 5.24 | 8.57 | 1.23 | 2.85 |



Feature

- 600# WOG
- DZR lead free brass body
- Full port design
- Chrome plated ball
- Union body ball valve
- High flow hose drains with cap and chain
- Adjustable packing gland
- Solder x FNPT
- Virgin PTFE seats
- Blow-out proof stem
- AB 1953, NSF/ANSI 61 & 372

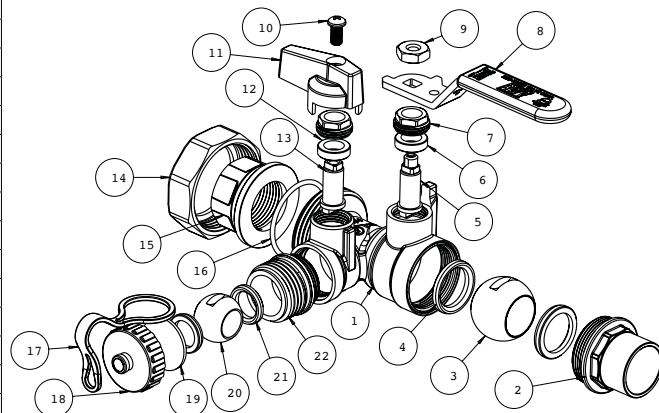


Working conditions:

- Water: from 15°F to 260°F
- below 32°F only for water with added antifreezing fluids
- over 212°F only for water with added anti-boiling fluids

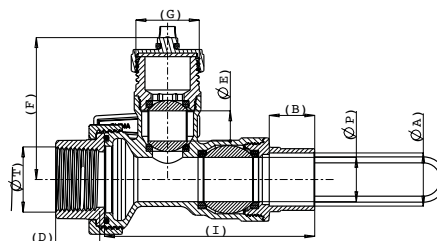
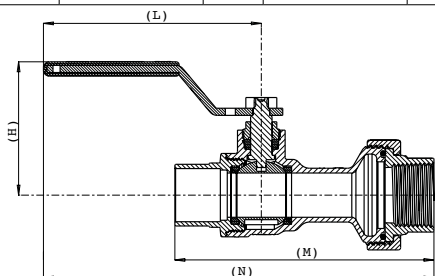
Material

| | Part | Material | Specification |
|----|------------------|--------------------------|------------------|
| 1 | Body | DZR Lead Free Brass | ASTM B927 C27453 |
| 2 | Fixed end | DZR Lead Free Brass | ASTM B927 C27453 |
| 3 | Ball | LF Brass / Cr plated | ASTM B927 C27450 |
| 4 | Seat | PTFE | - |
| 5 | Stem | DZR Brass | ASTM B927 C27453 |
| 6 | Packing ring | PTFE | - |
| 7 | Packing nut | Brass | ASTM B124 C37700 |
| 8 | Handle | Steel / Dacromet® plated | ASTM A36 |
| 9 | Nut | Steel / Zn plated | ASTM A36 |
| 10 | Screw | Steel / Zn plated | ASTM A36 |
| 11 | Handle | Aluminum | ASTM B85 |
| 12 | Packing ring | PTFE | - |
| 13 | Stem | DZR Lead Free Brass | ASTM B927 C27453 |
| 14 | Union nut | Brass | ASTM B283 C37700 |
| 15 | Union | DZR Lead Free Brass | ASTM B927 C27453 |
| 16 | O-ring | EPDM Perox 70SH | NSF approved |
| 17 | Tie | Rubber | - |
| 18 | Drain cap | Brass | ASTM B283 C37700 |
| 19 | Drain cap gasket | EPDM Perox | NSF approved |
| 20 | Ball | LF Brass / Cr plated | ASTM B927 C27450 |
| 21 | Seat | PTFE | - |
| 22 | Fixed end | DZR Lead Free Brass | ASTM B927 C27453 |



Dimension, Weight

| Part # | φA [in] | B [in] | φT [in] | D [in] | φE [in] | F [in] | G [in] | H [in] | I [in] | L [in] | M [in] | N [in] | φP [in] | Wt. [lb] |
|-----------------------|---------------|--------|--------------|--------|---------|--------|----------|--------|--------|--------|--------|--------|---------|----------|
| 8060S 075S075S | 0.877 - 0.881 | 0.75 | ¾ - 14NPT | 0.73 | 0.50 | 2.35 | ¾-11.5NH | 2.20 | 3.48 | 3.60 | 4.28 | 6.46 | 0.73 | 1.39 |
| 8060S 100S100S | 1.128 - 1.131 | 0.91 | 1 - 11.5NPT | 0.75 | 0.50 | 2.54 | ¾-11.5NH | 2.57 | 3.93 | 4.98 | 4.92 | 8.15 | 0.98 | 1.98 |
| 8060S 125S125S | 1.377 - 1.381 | 0.98 | 1¼ - 11.5NPT | 0.77 | 0.73 | 3.02 | ¾-11.5NH | 2.74 | 4.52 | 4.98 | 5.50 | 8.57 | 1.23 | 2.76 |



Feature

- 250# WOG
- DZR lead free brass body
- Full port design
- Chrome plated ball
- Union body ball valve
- High flow hose drains with cap and chain
- Adjustable packing gland
- EzPress x FNPT
- Virgin PTFE seats
- Blow-out proof stem
- AB 1953, NSF/ANSI 61 & 372

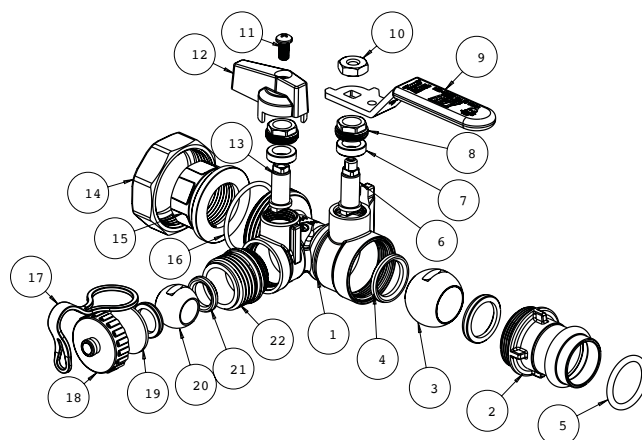


Working conditions:

- Water: from 15°F to 260°F
- below 32°F only for water with added antifreezing fluids
- over 212°F only for water with added anti-boiling fluids

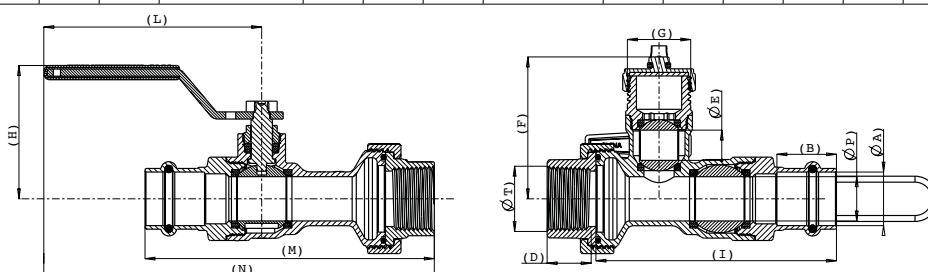
Material

| Part | Material | Specification |
|------|------------------|---------------------------------------|
| 1 | Body | DZR Lead Free Brass ASTM B927 C27453 |
| 2 | Fixed end | DZR Lead Free Brass ASTM B927 C27453 |
| 3 | Ball | LF Brass / Cr plated ASTM B927 C27450 |
| 4 | Seat | PTFE - |
| 5 | O-ring | EPDM Perox 70SH NSF approved |
| 6 | Stem | DZR Brass ASTM B927 C27453 |
| 7 | Packing ring | PTFE - |
| 8 | Packing nut | Brass ASTM B124 C37700 |
| 9 | Handle | Steel / Dacromet® plated ASTM A36 |
| 10 | Nut | Steel / Zn plated ASTM A36 |
| 11 | Screw | Steel / Zn plated ASTM A36 |
| 12 | Handle | Aluminum ASTM B85 |
| 13 | Stem | DZR Lead Free Brass ASTM B927 C27453 |
| 14 | Union nut | Brass ASTM B283 C37700 |
| 15 | Union | DZR Lead Free Brass ASTM B927 C27453 |
| 16 | O-ring | EPDM Perox 70SH NSF approved |
| 17 | Tie | Rubber - |
| 18 | Drain cap | Brass ASTM B283 C37700 |
| 19 | Drain cap gasket | EPDM Perox NSF approved |
| 20 | Ball | LF Brass / Cr plated ASTM B927 C27450 |
| 21 | Seat | PTFE - |
| 22 | Fixed end | DZR Lead Free Brass ASTM B927 C27453 |



Dimension, Weight

| Part # | φA [in] | B [in] | φT [in] | D [in] | φE [in] | F [in] | G [in] | H [in] | I [in] | L [in] | M [in] | N [in] | φP [in] | Wt. [lb] |
|----------------|---------|--------|--------------|--------|---------|--------|----------|--------|--------|--------|--------|--------|---------|----------|
| 8060P 075P075P | 0.89 | 0.98 | ¾ - 14NPT | 0.73 | 0.50 | 2.35 | ¾-11.5NH | 2.20 | 3.98 | 3.60 | 4.78 | 6.46 | 0.73 | 1.44 |
| 8060P 100P100P | 1.14 | 1.06 | 1 - 11.5NPT | 0.75 | 0.50 | 2.54 | ¾-11.5NH | 2.57 | 4.28 | 4.98 | 5.27 | 8.15 | 0.98 | 2.02 |
| 8060P 125P125P | 1.39 | 1.06 | 1¼ - 11.5NPT | 0.77 | 0.73 | 3.02 | ¾-11.5NH | 2.74 | 4.80 | 4.98 | 5.79 | 8.57 | 1.23 | 2.80 |



WARNING: This product can expose you to chemicals including lead, which is known to the State of California to cause cancer and birth defects or other reproductive harm. For more information go to www.P65Warnings.ca.gov.

Drawings, photos and data are provided for information only and subject to change without notice. No part of this document may be reproduced, copied, modified or adapted, without the prior written consent of the copyright owner, unless otherwise indicated.