

Feature

- 600# WOG
- DZR lead free brass body
- Full port design
- Chrome plated ball
- Union body ball valve
- Adjustable packing gland
- FNPT x FNPT
- Virgin PTFE seats
- Blow-out proof stem
- AB 1953, NSF/ANSI 61 & 372

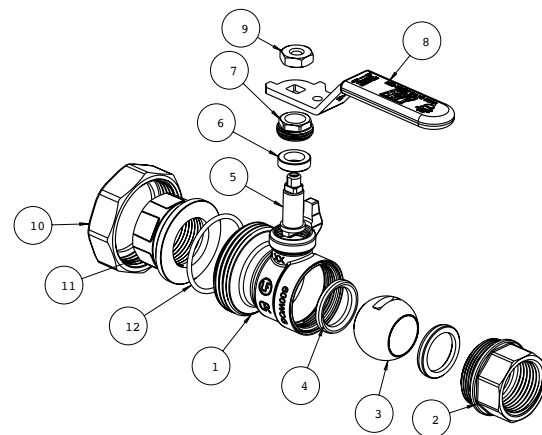


Working conditions:

Water: from 15°F to 260°F
 below 32°F only for water with added antifreezing fluids
 over 212°F only for water with added anti-boiling fluids

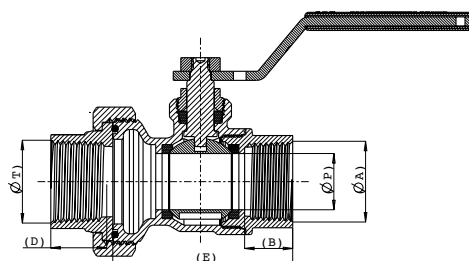
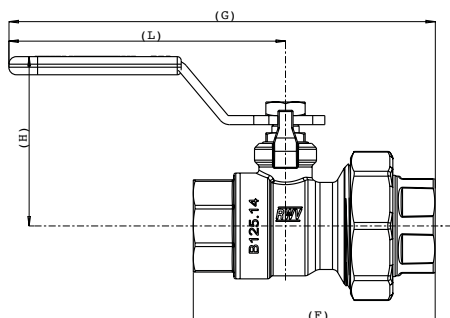
Material

| | Part | Material | Specification |
|----|--------------|--------------------------|------------------|
| 1 | Body | DZR Lead Free Brass | ASTM B927 C27453 |
| 2 | Fixed end | DZR Lead Free Brass | ASTM B927 C27453 |
| 3 | Ball | LF Brass / Cr plated | ASTM B927 C27450 |
| 4 | Seat | PTFE | - |
| 5 | Stem | DZR Brass | ASTM B927 C27453 |
| 6 | Packing ring | PTFE | - |
| 7 | Packing nut | Brass | ASTM B124 C37700 |
| 8 | Handle | Steel / Dacromet® plated | ASTM A36 |
| 9 | Nut | Steel / Zn plated | ASTM A36 |
| 10 | Union nut | Brass | ASTM B283 C37700 |
| 11 | Union | DZR Lead Free Brass | ASTM B927 C27453 |
| 12 | O-ring | EPDM Perox 70SH | NSF approved |



Dimension, Weight

| Part # | φA [in] | B [in] | φT [in] | D [in] | E [in] | F [in] | G [in] | H [in] | L [in] | φP [in] | Wt. [lb] |
|----------------|--------------|--------|--------------|--------|--------|--------|--------|--------|--------|---------|----------|
| 8050T 075T075T | ¾ - 14NPT | 0.63 | ¾ - 14NPT | 0.73 | 2.34 | 3.15 | 5.55 | 2.20 | 3.60 | 0.73 | 0.94 |
| 8050T 100T100T | 1 - 11.5NPT | 0.75 | 1 - 11.5NPT | 0.75 | 2.74 | 3.74 | 7.23 | 2.57 | 4.98 | 0.98 | 1.53 |
| 8050T 125T125T | 1¼ - 11.5NPT | 0.77 | 1¼ - 11.5NPT | 0.77 | 3.03 | 4.02 | 7.35 | 2.74 | 4.98 | 1.23 | 2.18 |



Feature

- 600# WOG
- DZR lead free brass body
- Full port design
- Chrome plated ball
- Union body ball valve
- Adjustable packing gland
- Solder x FNPT
- Virgin PTFE seats
- Blow-out proof stem
- AB 1953, NSF/ANSI 61 & 372

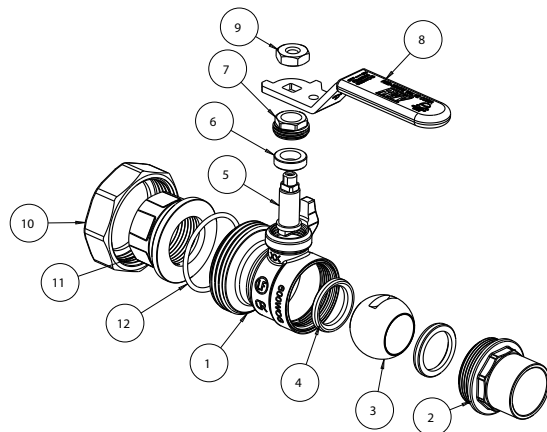


Working conditions:

- Water: from 15°F to 260°F
- below 32°F only for water with added antifreezing fluids
- over 212°F only for water with added anti-boiling fluids

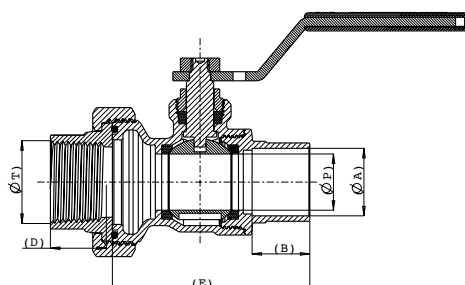
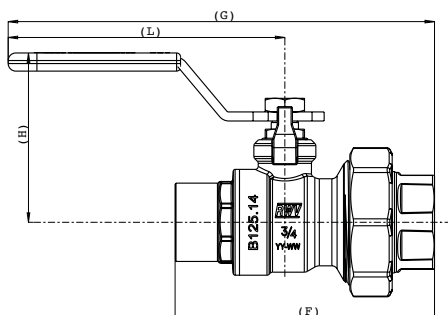
Material

| | Part | Material | Specification |
|----|--------------|--------------------------|------------------|
| 1 | Body | DZR Lead Free Brass | ASTM B927 C27453 |
| 2 | Fixed end | DZR Lead Free Brass | ASTM B927 C27453 |
| 3 | Ball | LF Brass / Cr plated | ASTM B927 C27450 |
| 4 | Seat | PTFE | - |
| 5 | Stem | DZR Brass | ASTM B927 C27453 |
| 6 | Packing ring | PTFE | TF1502 |
| 7 | Packing nut | Brass | ASTM B124 C37700 |
| 8 | Handle | Steel / Dacromet® plated | ASTM A36 |
| 9 | Nut | Steel / Zn plated | ASTM A36 |
| 10 | Union nut | Brass | ASTM B283 C37700 |
| 11 | Union | DZR Lead Free Brass | ASTM B927 C27453 |
| 12 | O-ring | EPDM Perox 70SH | NSF approved |



Dimension, Weight

| Part # | φA [in] | B [in] | φT [in] | D [in] | E [in] | F [in] | G [in] | H [in] | L [in] | φP [in] | Wt. [lb] |
|----------------|-------------|--------|--------------|--------|--------|--------|--------|--------|--------|---------|----------|
| 8050S 075S075S | 0.877-0.880 | 0.75 | ¾ - 14NPT | 0.73 | 2.57 | 3.38 | 5.55 | 2.20 | 3.60 | 0.73 | 0.93 |
| 8050S 100S100S | 1.128-1.131 | 0.91 | 1 - 11.5NPT | 0.75 | 3.00 | 4.00 | 7.23 | 2.57 | 4.98 | 0.98 | 1.49 |
| 8050S 125S125S | 1.377-1.381 | 0.98 | 1¼ - 11.5NPT | 0.77 | 3.30 | 4.28 | 7.35 | 2.74 | 4.98 | 1.23 | 2.09 |



Feature

- 250# WOG
- DZR lead free brass body
- Full port design
- Chrome plated ball
- Union body ball valve
- Adjustable packing gland
- EzPress x FNPT
- Virgin PTFE seats
- Blow-out proof stem
- AB 1953, NSF/ANSI 61 & 372

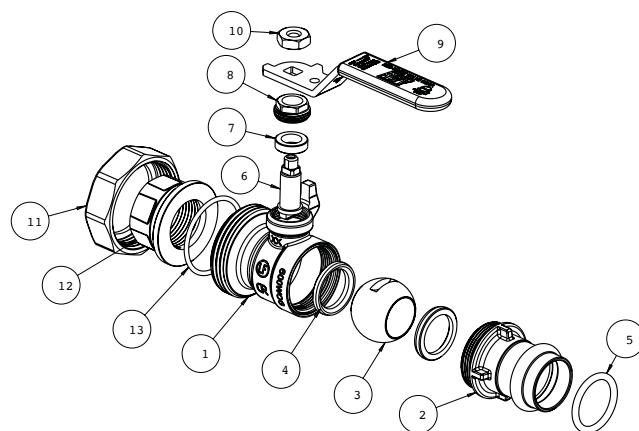


Working conditions:

Water: from 15°F to 260°F
 below 32°F only for water with added antifreezing fluids
 over 212°F only for water with added anti-boiling fluids

Material

| Part | Material | Specification |
|----------------|--------------------------|------------------|
| 1 Body | DZR Lead Free Brass | ASTM B927 C27453 |
| 2 Fixed end | DZR Lead Free Brass | ASTM B927 C27453 |
| 3 Ball | LF Brass / Cr plated | ASTM B927 C27450 |
| 4 Seat | PTFE | - |
| 5 Stem | DZR Brass | ASTM B927 C27453 |
| 6 O-ring | EPDM Perox 70SH | NSF approved |
| 7 Packing ring | PTFE | - |
| 8 Packing nut | Brass | ASTM B124 C37700 |
| 9 Handle | Steel / Dacromet® plated | ASTM A36 |
| 10 Nut | Steel / Zn plated | ASTM A36 |
| 11 Union nut | Brass | ASTM B283 C37700 |
| 12 Union | DZR Lead Free Brass | ASTM B927 C27453 |
| 13 O-ring | EPDM Perox 70SH | NSF approved |



Dimension, Weight

| Part # | φA [in] | B [in] | φT [in] | D [in] | E [in] | F [in] | G [in] | H [in] | L [in] | φP [in] | Wt. [lb] |
|----------------|---------|--------|--------------|--------|--------|--------|--------|--------|--------|---------|----------|
| 8050P 075P075P | 0.89 | 0.98 | ¾ - 14NPT | 0.73 | 3.08 | 3.88 | 5.55 | 2.20 | 3.60 | 0.73 | 0.97 |
| 8050P 100P100P | 1.14 | 1.06 | 1 - 11.5NPT | 0.75 | 3.35 | 4.35 | 7.23 | 2.57 | 4.98 | 0.98 | 1.52 |
| 8050P 125P125P | 1.39 | 1.06 | 1¼ - 11.5NPT | 0.77 | 3.58 | 4.57 | 7.35 | 2.74 | 4.98 | 1.23 | 2.13 |

