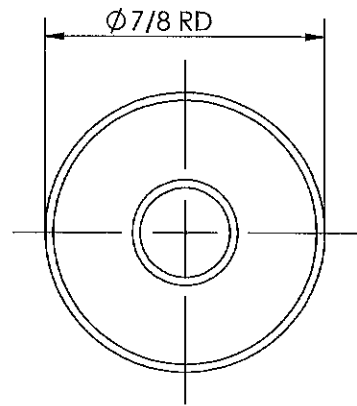
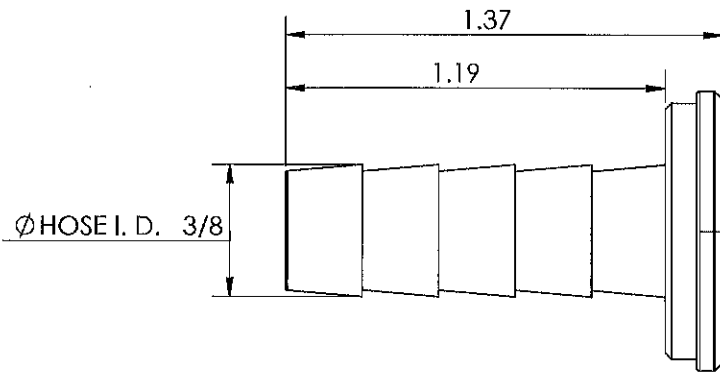
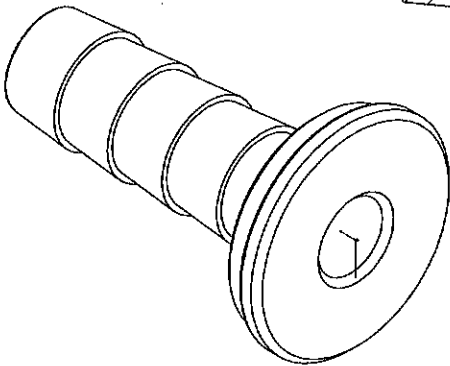
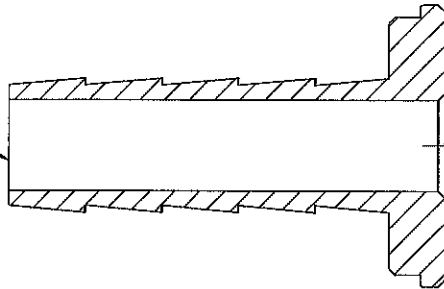



LINE DRAWING NOT FOR PRODUCTION PURPOSES

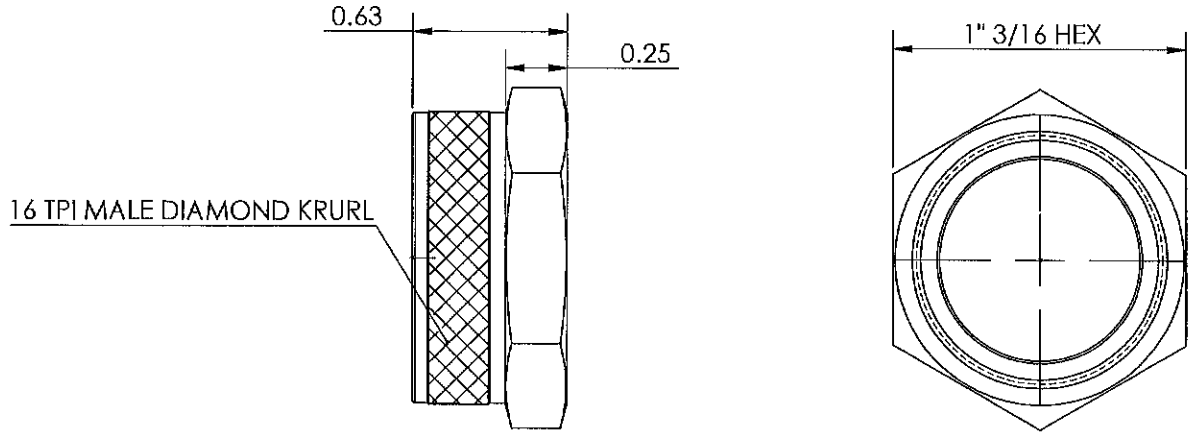


THRU HOLE DIA. .281



THIS DRAWING CONTAINS INFORMATION DEEMED PROPRIETARY TO DIXON BRASS AND IS SO TO BE USED ONLY FOR THE PURPOSE FOR WHICH IT IS SUBMITTED, AND FURTHER, SHALL NOT BE COPIED IN WHOLE OR IN PART WITHOUT EXPRESS WRITTEN PERMISSION FIRST OBTAINED FROM DIXON BRASS.			
UNLESS OTHERWISE SPECIFIED:			
DIMENSIONS ARE IN INCHES	 Dixon Brass Westmont, Illinois USA	DRAWN P. MONAGHAN	DATE 12/21/15
TOLERANCES: ANGLES: ±0°30' .X (±.015) .XX (±.010) .XXX (±.005)		APPROVED	DATE
DIMENSIONS PER ANSI Y14.5	TITLE: 3/8 BARB GARDEN HOSE STEM	ECO NO.	DRAWING NOT REPRODUCED TO SCALE
	SIZE A	DWG. NO. 5910612S	REV E

LINE DRAWING NOT FOR PRODUCTION PURPOSES



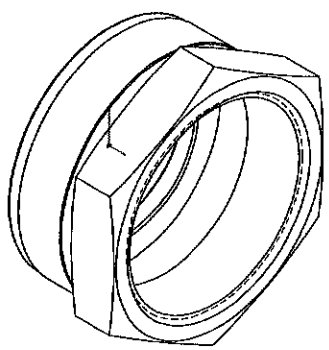
16 TPI MALE DIAMOND KRURL


0.25

0.63

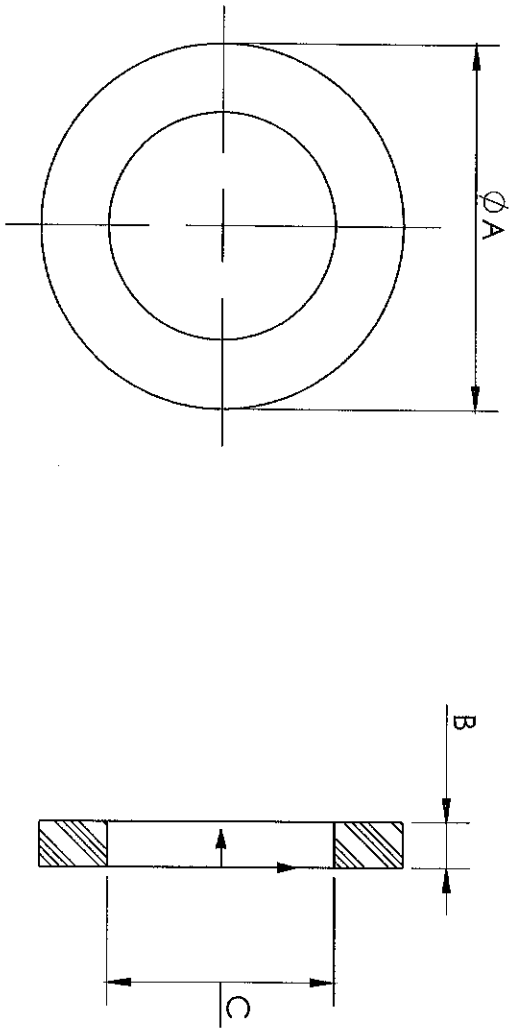
1" 3/16 HEX

3/4 - 11-1/2 NH
THREAD



<small>THIS DRAWING CONTAINS INFORMATION DEEMED PROPRIETARY TO DIXON BRASS AND IS TO BE USED ONLY FOR THE PURPOSE FOR WHICH IT IS SUBMITTED, AND FURTHER, SHALL NOT BE COPIED IN WHOLE OR IN PART WITHOUT EXPRESS WRITTEN PERMISSION FIRST OBTAINED FROM DIXON BRASS.</small>				
<small>UNLESS OTHERWISE SPECIFIED:</small>				
<small>DIMENSIONS ARE IN INCHES</small>		Dixon Brass Westmont, Illinois USA	<small>DRAWN</small> P. MONAGHAN	<small>DATE</small> 1/11/16
<small>TOLERANCES:</small> <small>ANGLES: ±0°30'</small> <small>.X (±.016)</small> <small>.XX (±.010)</small> <small>.XXX (±.005)</small> <small>DIMENSIONS PER ANSI Y14.6</small>			<small>APPROVED</small>	<small>DATE</small>
<small>TITLE:</small> GARDEN HOSE NUT		<small>DRAWING NOT REPRODUCED TO SCALE</small>		<small>ECO NO.</small>
<small>SIZE</small> A	<small>DWG. NO.</small> 5911212N	<small>REV</small> J		

REV	COMMENTS	DATE
B	REDRAWN	5/31/19



MATERIAL	PART NUMBER	A	B	C
BLACK SBR 80 DURO	5911212W	1.000 ±.010	.125 ±.005	.625 ±.010
	5911616W	1.270 ±.020	.125 ±.005	.860 ±.010

MATERIAL	PART NUMBER	A	B	C
BLACK PEROXIDE CURE EPDM NSF61.70 DURO WITH WHITE STRIPE	5911212WEPDM	1.000 ±.010	.125 ±.005	.625 ±.010
	5911616WEPDM	1.270 ±.020	.125 ±.005	.860 ±.010

THIS DRAWING CONTAINS INFORMATION DEEMED PROPRIETARY TO DIXON BRASS AND IS SO TO BE USED ONLY FOR THE PURPOSE FOR WHICH IT IS SUBMITTED, AND FURTHER, SHALL NOT BE COPIED IN WHOLE OR IN PART WITHOUT EXPRESS WRITTEN PERMISSION FIRST OBTAINED FROM DIXON BRASS. UNLESS OTHERWISE SPECIFIED:

DIMENSIONS ARE IN INCHES
 TOLERANCES:
 FINISH .010
 .XX (.010)
 .XXX (.005)
 DIMENSIONS PER ANSI Y14.5



Dixon Brass
 Westmont, Illinois USA

DATE: 5/31/19
 DRAWN BY: P. MONAGHAN
 APPROVED: [Signature]
 ECO NO.:

TITLE: GARDEN HOSE WASHER
 SIZE: A
 DWG. NO.: 591 SERIES
 REV: B

DRAWING NOT REPRODUCED TO SCALE