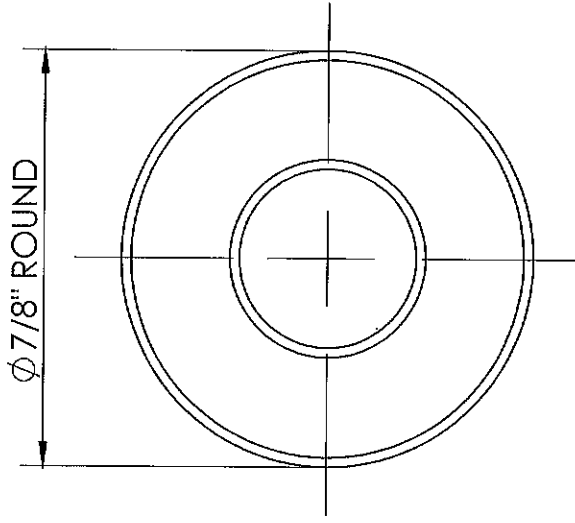
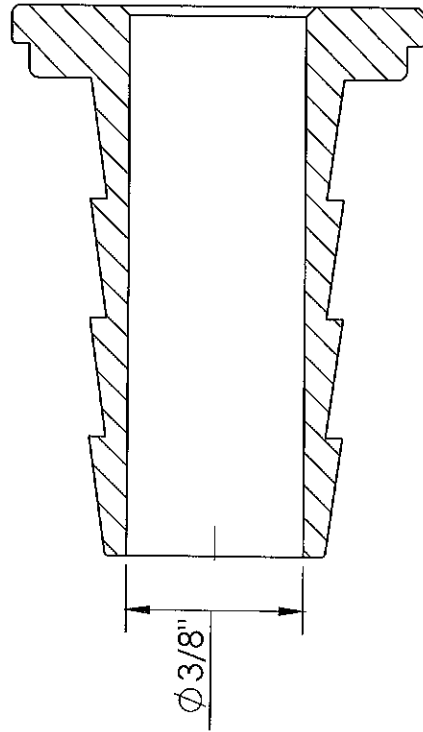
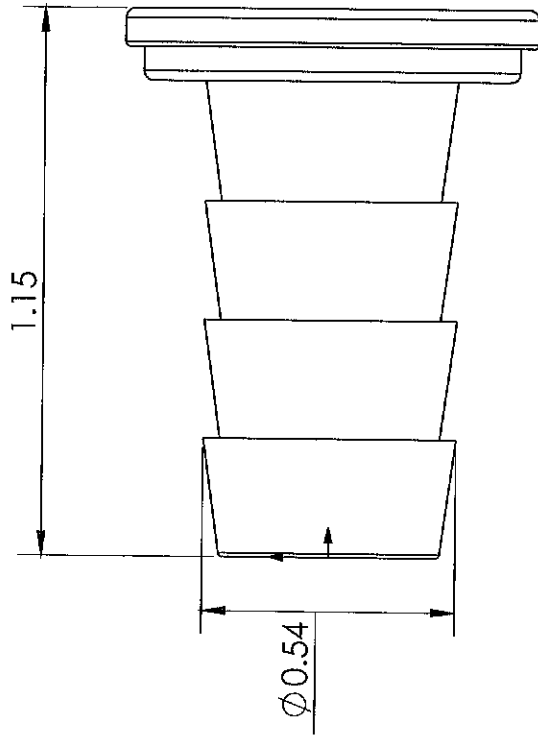


LINE DRAWING NOT FOR PRODUCTION PURPOSES



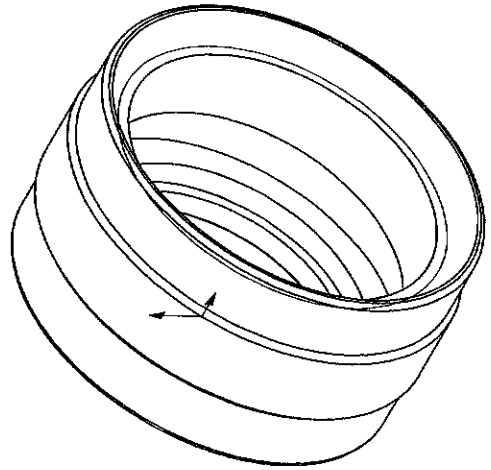
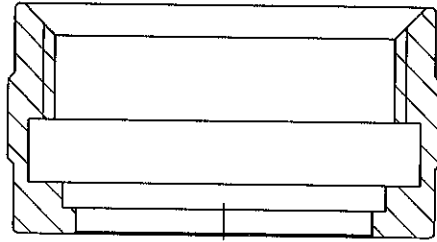
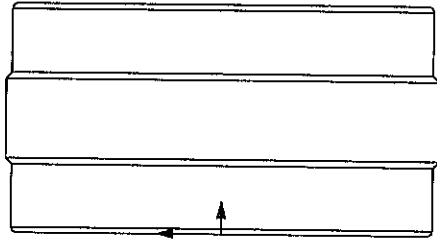
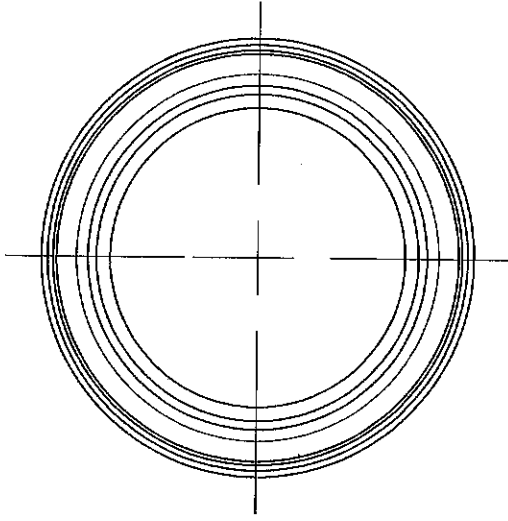
MATERIAL 7/8" ROUND ALLOY 360 BRASS

This drawing is owned by Dixon Valve& Coupling Co. and shall be returned upon demand. It is loaned on condition that it shall not be copied or reproduced or submitted to others without the owners consent. In accepting it, subject to this condition, the recipient further agrees that this drawing or any design detail or concept disclosed herein shall not be used in any way detrimental to or in competition with the owner. If the recipient does not agree to the terms of this agreement they shall return this drawing immediately. The information contained in this drawing is subject to change without notice.

 Dixon Brass Westmont, Illinois USA	DRAWN	DATE
	H. BARRERA	12/11/17
APPROVED		DATE
		ECO NO.

DO NOT SCALE THIS DRAWING	
SIZE	REV
1/2 GARDEN HOSE STEM (3 BARB)	A
DWG. NO.	5860812S

LINE DRAWING NOT FOR PRODUCTION PURPOSES



MATERIAL 1 1/3/16 RD ALLOY 360 BRASS

This drawing is owned by Dixon Valve, Coupling Co. and shall be returned upon demand. It is loaned on condition that it shall not be copied or reproduced or submitted to others without the owners consent. In accepting it, subject to this condition, the recipient further agrees that this drawing or any design detail or concept disclosed herein shall not be used in any way detrimental to or in competition with the owner, if the recipient does not agree to the terms of this agreement they shall return this drawing immediately. The information contained in this drawing is subject to change without notice.

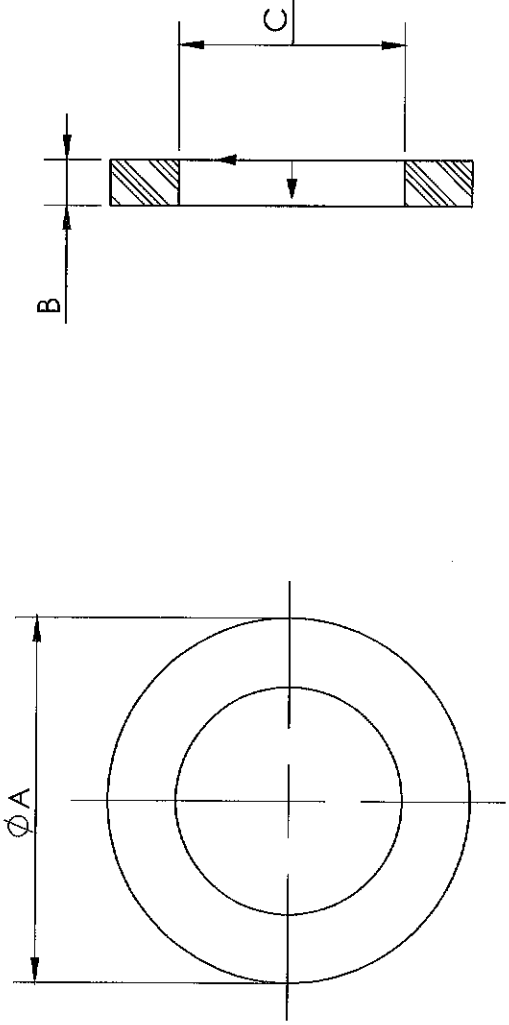


Dixon Brass
Westmont, Illinois USA

DRAWN	DATE
P. MONAGHAN	8/30/18
APPROVED	DATE
ECO NO.	

TITLE: KNURL NUT GARDEN HOSE		DO NOT SCALE THIS DRAWING	
SIZE	DWG. NO.	REV	
A	5861012N		D

REV	COMMENTS	DATE
B	REDRAWN	5/31/19



PART NUMBER	A	B	C
5911212W	1.000 \pm .010	.125 \pm .005	.625 \pm .010
5911616W	1.270 \pm .020	.125 \pm .005	.860 \pm .010
MATERIAL BLACK SBR 80 DURO			
MATERIAL BLACK PEROXIDE CURE EPDM NSF61,70 DURO WITH WHITE STRIPE			
PART NUMBER	A	B	C
5911212WEPDM	1.000 \pm .010	.125 \pm .005	.625 \pm .010
5911616WEPDM	1.270 \pm .020	.125 \pm .005	.860 \pm .010

THIS DRAWING CONTAINS INFORMATION DEEMED PROPRIETARY TO DIXON BRASS AND IS TO BE USED ONLY FOR THE PURPOSE FOR WHICH IT IS SUBMITTED, AND FURTHER, SHALL NOT BE COPIED IN WHOLE OR IN PART WITHOUT EXPRESS WRITTEN PERMISSION FIRST OBTAINED FROM DIXON BRASS.

UNLESS OTHERWISE SPECIFIED:
 DIMENSIONS ARE IN INCHES
 TOLERANCES:
 ANGLES: $\pm 0^{\circ}30'$
 .X (\pm .015)
 .XX (\pm .010)
 .XXX (\pm .005)
 DIMENSIONS PER ANSI Y14.5

Dixon Brass
Westmont, Illinois USA

DIXON
The Right Connection

GARDEN HOSE WASHER

DRAWN: P. MONAGHAN
 APPROVED: P. MONAGHAN
 ECO NO.:
 DATE: 5/31/19

DRAWING NOT REPRODUCED TO SCALE

SIZE: A
 DWG. NO.: 591 SERIES
 REV: B