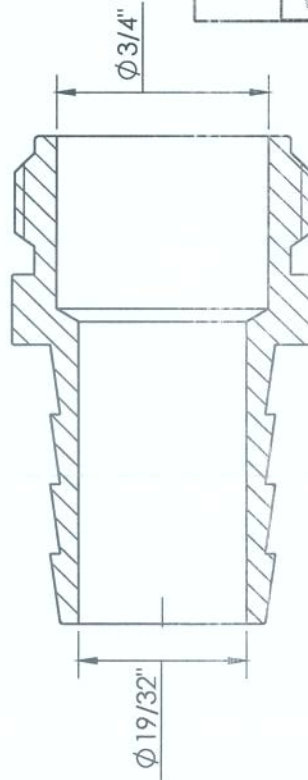
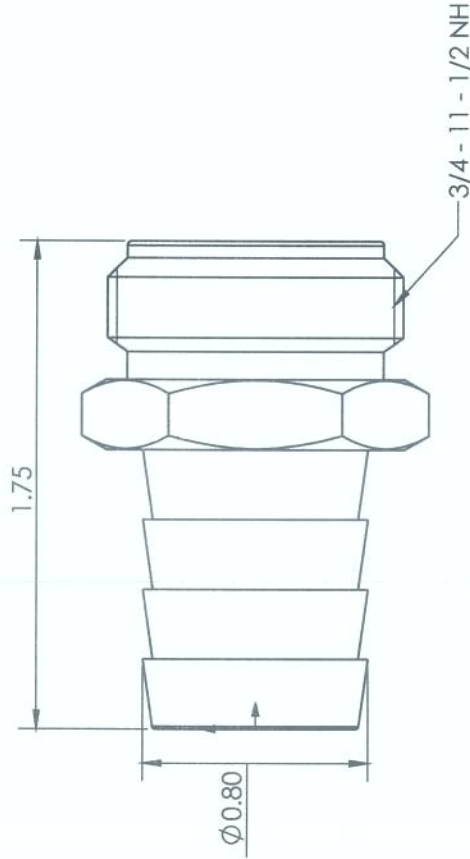
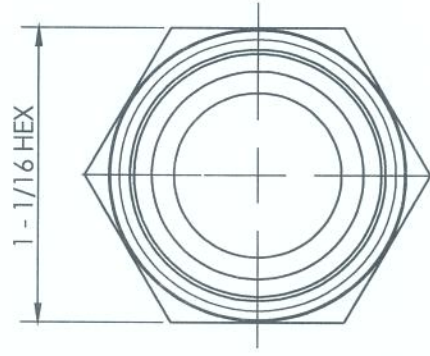


LINE DRAWING NOT FOR PRODUCTION PURPOSES



MATERIAL 1 - 1/16 HEX ALLOY 360 BRASS

This drawing is owned by Dixon Valves Coupling Co. and shall be returned upon demand. It is loaned on condition that it shall not be copied or reproduced or submitted to others without the owners consent. In accepting it, subject to this condition, the recipient further agrees that this drawing or any design detail or information contained herein shall remain the property of Dixon Valves Coupling Co. If the recipient does not agree to the terms of this agreement they shall return this drawing immediately. The information contained in this drawing is subject to change without notice.

 The Right Connection.	Dixon Brass Westmont, Illinois USA	DRAWN HENRY B.	DATE 12/11/17
		APPROVED	DATE
		ECO NO.	

DO NOT SCALE THIS DRAWING	
SIZE	DWG. NO.
3/4 MALE	A 5851212C
TITLE:	REV
GARDEN HOSE (3 BARB)	A