

Feature

- 150# WSP / 600# WOG
- Brass body
- Full port
- Adjustable packing
- Solder x Solder
- Solder ends (ASME B16.22)
- Blow-out proof stem

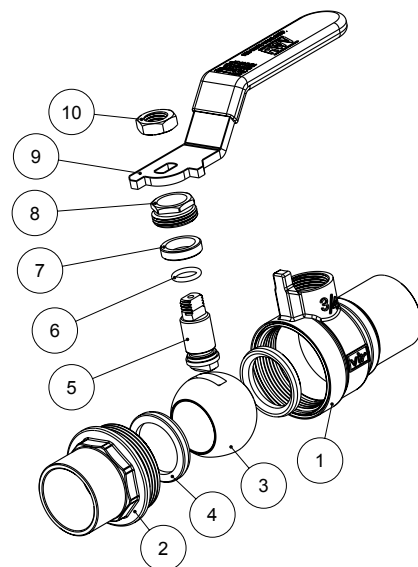
Pressure/ Temperature rating	
600 psi from 15 °F to 160 °F	150 psi max. at 366 °F

Connection Working Pressure				
Solder used in joint	Working temp (°F)	Max. working pressure (PSI)		
		¾" - 1"	1¼" - 2"	2½" - 4"
95-5 Tin antimony (ASTM B32 grade 95TA)	100	500	400	300
	150	400	350	275
	200	300	250	200
	250	200	175	150



Material

Part	Material	Specification
1 Body	Brass	ASTM B293 C37700
2 End piece	Brass	ASTM B283 C37700
3 Ball	Brass / Cr plated	ASTM B283 C37700
4 Seat	PTFE	PTFE
5 Stem	Brass	ASTM B124 C37700
6 O-ring	FKM	NSF Approved
7 Packing	PTFE	PTFE
8 Packing nut	Brass	ASTM B124 C37700
9 Handle	Steel / Dacromet® plated	A36
10 Handle nut	Steel / Zn plated	A36



Dimension, Cv, Weight

Size	Ø	A [in]	C [in]	H [in]	L [in]	P [in]	Cv	Wt. [lb]
½"	0.627-0.631	2.20	0.51	1.93	3.58	0.50	11	0.38
¾"	0.877-0.881	2.87	0.75	2.07	3.58	0.73	26	0.54
1"	1.128-1.131	3.43	0.91	2.36	4.96	0.95	55	0.95
1¼"	1.378-1.381	3.82	0.98	2.60	4.96	1.22	103	1.18
1½"	1.628-1.632	4.25	1.09	2.87	5.55	1.46	111	1.76
2"	2.128-2.132	5.31	1.34	3.25	5.55	1.95	353	2.86

