

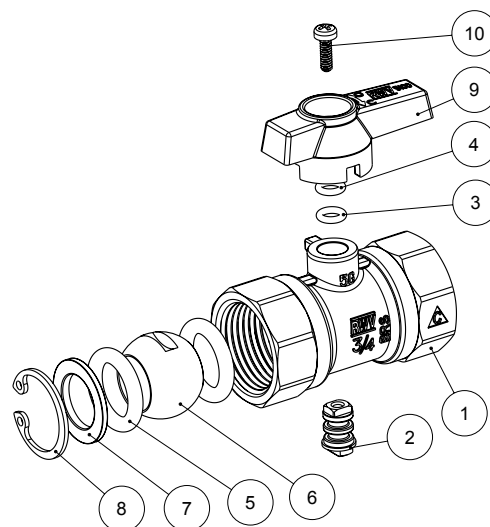
#### Feature

- 175# PSI
- 1-piece brass body
- FNPT x FNPT
- Threaded ends (ASME B1.20.1-NPT)
- Chrome plated ball
- ANSI Z21.15 / CSA 9.1
- CSA ½, 2 & 5 psi
- CSA ΔC
- UL approved



#### Material

	Part	Material	Specification
1	Body	Brass	ASTM B283 C37700
2	Stem	Brass	ASTM B124 C37700
3	O-ring	FKM	-
4	O-ring	HNBR 70SH	-
5	O-ring	HNBR 70SH	-
6	Ball	Brass / Cr plated	ASTM B124 C37700
7	Seat washer	Brass	ASTM B124 C37700
8	Body clip	Steel	DIN 17222
9	Handle	Aluminum	ASTM B85 A03840
10	Handle screw	Steel / Zn plated	ASTM A36



#### Dimension, Weight

Size	T	A	C	H	L	P	Wt.
		[in]	[in]	[in]	[in]	[in]	[lb]
½"	½ - 14 NPT	2.13	0.63	1.27	1.18	0.39	0.32
¾"	¾ - 14 NPT	2.26	0.63	1.364	1.18	0.59	0.40

