

Feature

- 150# WSP / 600# WOG (3/8" - 2")
- 125# WSP / 400# WOG (2 1/2" - 3")
- Bronze cast body
- Full port
- Adjustable packing
- FNPT x FNPT
- Threaded ends (ASME B1.20.1-NPT)
- Blow-out proof stem
- Chrome plated ball
- Virgin PTFE seats
- MSS-SP-110

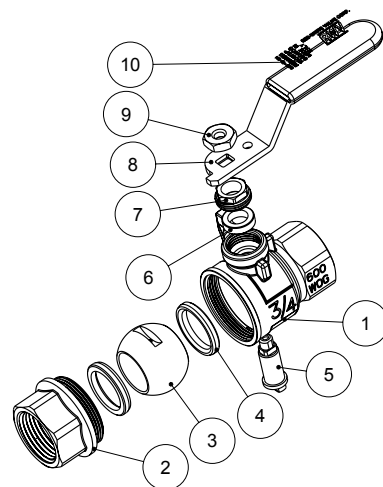
Meet BAA requirement



Pressure/ Temperature rating		
600 psi from 15 °F to 160 °F	150 psi max. at 366 °F	

Material

	Part	Material	Specification
1	Body	Bronze	ASTM B62 C83600
2	End piece	Bronze	ASTM B62 C83600
3	Ball	Brass / Cr plated	ASTM B283 C37700
4	Seat	PTFE	PTFE
5	Stem	Brass	ASTM B124 C37700
6	Packing ring	PTFE	PTFE
7	Packing nut	Brass	ASTM B124 C37700
8	Handle	Steel / Geomet® plated	A36
9	Nut	Steel / Zn plated	A36
10	Valve info	-	-



Dimension, Cv, Weight

Size	A [in]	L [in]	H [in]	P [in]	C [in]	Cv	Wt. [lb]
3/8"	1.81	3.19	1.55	0.39	0.49	8	0.32
1/2"	2.24	3.60	2.13	0.39	0.61	15	0.59
3/4"	2.64	3.60	2.26	0.79	0.65	30	0.86
1"	3.03	4.98	2.57	0.98	0.77	60	1.41
1 1/4"	3.58	4.98	2.80	1.26	0.85	110	2.20
1 1/2"	4.06	5.57	3.28	1.57	0.85	130	3.16
2"	4.80	5.57	3.58	1.97	0.98	360	4.94
2 1/2"	6.02	11.06	4.70	2.56	1.18	450	10.24
3"	7.06	11.06	5.16	3.15	1.34	620	14.57

