

Feature

- 600# WOG
- Lead free brass body
- Drain port
- Full port
- Adjustable packing
- Solder x Solder
- Solder ends (ASME B16.22)
- Blow-out proof stem
- Chrome plated ball
- Virgin PTFE seats
- MSS-SP-110
- AB1953, NSF/ANSI 61 & 372 certified

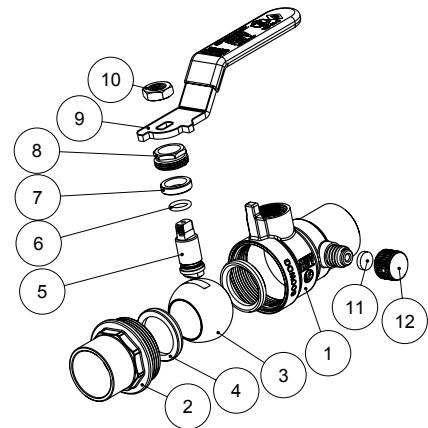


Pressure/ Temperature rating	
600 psi from 15 °F to 160 °F	150 psi max. at 200 °F

Connection Working Pressure		
Solder used in joint	Working temp (°F)	Max. working pressure (PSI)
95-5 Tin antimony (ASTM B32 grade 95TA)	100	500
	150	400
	200	300
	250	200

Material

Part	Material	Specification
1 Body	Lead Free Brass	ASTM B927 C28450
2 End piece	Lead Free Brass	ASTM B927 C28450
3 Ball	Lead Free Brass / Cr plated	ASTM B927 C28450
4 Seat	PTFE	PTFE
5 Stem	Lead Free Brass	ASTM B927 C28450
6 O-ring	FKM	-
7 Packing	PTFE	PTFE
8 Packing nut	Brass	ASTM B124 C37700
9 Handle	Steel	A36
10 Handle nut	Steel / Zn plated	A36
11 Cap gasket	NBR	NSF approved
12 Plug	Brass	ASTM B124 C37700



Dimension, Weight

Size	Φ [in]	A [in]	C [in]	H [in]	L [in]	P [in]	P1 [in]	Wt. [lb]
½"	0.627-0.631	2.31	0.51	1.93	3.59	0.50	1.10	0.42
¾"	0.877-0.881	2.96	0.75	2.07	3.59	0.73	1.16	0.60
1"	1.128-1.131	3.56	0.91	2.35	4.97	0.94	1.33	1.00

