

Feature

- 600# WOG
- Bronze body
- Full port
- EzPress x FNPT
- Threaded end (ASME B1.20.1-NPT)
- Chrome plated ball
- PTFE seats
- Blow-out proof stem
- Adjustable packing
- MSS-SP-110

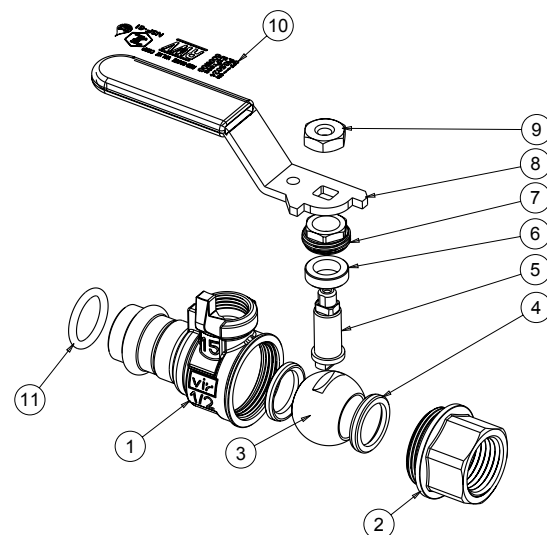
Meet BAA requirement

Pressure/ Temperature rating	
Valve body and stem	
600 psi from 15 °F to 160 °F	150 psi max. at 366 °F
Press connections	
250 psi from 15 °F to 160 °F	150 psi max. at 250 °F



Material

Part	Material	Specification
1 Body	Bronze	ASTM B62 C83600
2 End piece	Bronze	ASTM B62 C83600
3 Ball	Brass / Cr plated	ASTM B124 C37700
4 Seat	PTFE	PTFE
5 Stem	Brass	ASTM B124 C37700
6 Packing ring	PTFE	PTFE
7 Packing nut	Brass	ASTM B124 C37700
8 Handle	Steel / Geomet® plated	ASTM A36
9 Nut	Steel / Zn plated	ASTM A36
10 O-ring	EPDM Perox	NSF approved



Dimension, Weight

Size	Φ NPT	Φ [in]	A [in]	L [in]	H [in]	C [in]	C1 [in]	P [in]	Cv	Wt. [lb]
1/2"	1/2 - 14 NPT	0.64	2.76	3.60	2.13	0.79	0.61	0.59	15	0.56
3/4"	3/4 - 14 NPT	0.89	3.33	3.60	2.26	0.91	0.65	0.79	30	0.80
1"	1 - 11.5 NPT	1.14	3.80	4.98	2.58	0.95	0.77	0.98	60	1.28
1 1/4"	1 1/4 - 11.5 NPT	1.39	4.29	4.98	2.80	1.22	0.85	1.26	110	1.94
1 1/2"	1 1/2 - 11.5 NPT	1.64	5.02	5.57	3.29	1.42	0.85	1.57	130	3.16
2"	2 - 11.5 NPT	2.14	5.89	5.57	3.58	1.73	0.98	1.97	360	4.58

