

Feature

- 400# WOG
- DZR lead free brass body
- F1960 full port
- Barb (F1960) x Flange
- PEX end (ASTM F1960)
- Flange end (ASME B16.1)
- Chrome plated ball
- Virgin PTFE seats
- Blow-out proof stem
- Double NBR O-ring packing
- CSA B125.14
- IAPMO/ANSI Z1157-14
- AB1953, NSF/ANSI 61 & 372 certified

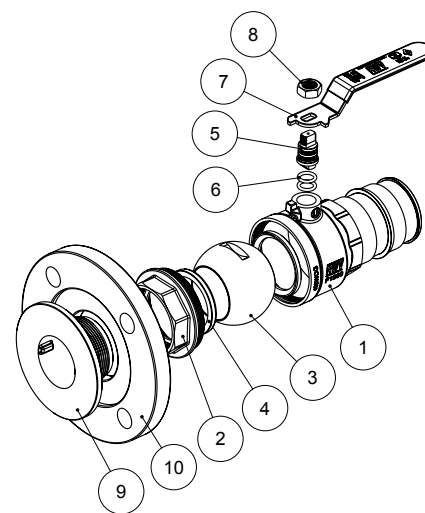
Option with wing handle (5018ABW) available



Pressure/ Temperature rating	
300 psi from 15 °F to 160 °F	150 psi max. at 200 °F

Material

	Part	Material	Specification
1	Body	DZR Lead Free Brass	ASTM B927 C27453
2	End piece	DZR Lead Free Brass	ASTM B927 C27453
3	Ball	DZR Lead Free Brass / Cr plated	ASTM B927 C27453
4	Seat	PTFE	PTFE
5	Stem	DZR Lead Free Brass	ASTM B927 C27453
6	O-ring	NBR	NSF approved
7	Handle	Steel / Dacromet® plated	ASTM A36
8	Handle nut	Steel / Zn plated	ASTM A36
9	Union	DZR Lead Free Brass	ASTM B927 C27453
10	Flange	Brass	-



Dimension, Cv, Weight

Size	A [in]	H [in]	L [in]	P [in]	B [in]	F [in]	D [in]	Wt. [lb]
2½"	7.26	3.07	7.26	1.95	0.75	5.51	7.09	11.84
3	8.77	3.90	7.91	2.44	5.51	5.98	7.48	16.08

