

Lead Free Brass EzPress Swing Check Valve

Feature

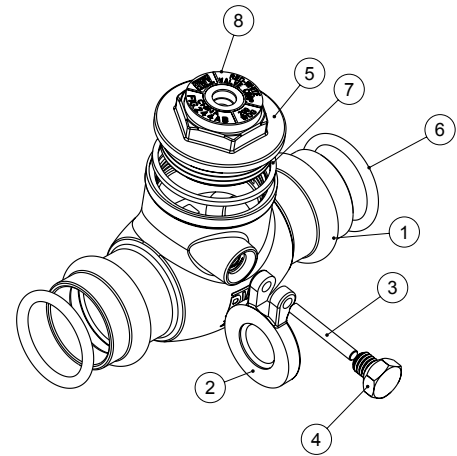
- 200# WOG
- Brass body
- Brass seat
- EzPress x EzPress
- Horizontal "T" pattern
- AB1953, NSF/ANSI 61 & 372 certified



| Pressure/ Temperature rating |                        |
|------------------------------|------------------------|
| 200# WOG                     | Temp. max. 450 °F      |
| Press connections            |                        |
| 250 psi from 15 °F to 160 °F | 150 psi max. at 250 °F |

Material

|   | Part           | Material            | Specification    |
|---|----------------|---------------------|------------------|
| 1 | Body           | DZR Lead Free Brass | ASTM B927 C27453 |
| 2 | Retaining disc | Lead Free Brass     | ASTM B927 C27450 |
| 3 | Stem           | Lead Free Brass     | ASTM B927 C27450 |
| 4 | Bolt           | Lead Free Brass     | ASTM B927 C27450 |
| 5 | Cap            | Lead Free Brass     | ASTM B927 C27450 |
| 6 | O-ring         | EPDM Perox          | NSF Approved     |
| 7 | Gasket         | PTFE                | PTFE             |
| 8 | Disk           | Aluminum            | -                |



Dimension, Weight

| Size   | ΦD [in] | A [in] | H [in] | L [in] | B [in] | C [in] | C1 [in] | ΦP [in] | Wt. [lb] |
|--------|---------|--------|--------|--------|--------|--------|---------|---------|----------|
| 1/2"   | 0.64    | 3.18   | 1.38   | 1.26   | 0.96   | 0.93   | 0.86    | 0.51    | 0.47     |
| 3/4"   | 0.89    | 3.50   | 1.57   | 1.49   | 1.02   | 0.98   | 0.90    | 0.73    | 0.66     |
| 1"     | 1.14    | 3.96   | 1.81   | 1.78   | 1.14   | 1.06   | 0.98    | 0.94    | 0.95     |
| 1 1/4" | 1.39    | 4.33   | 2.19   | 2.11   | 1.50   | 1.06   | 1.02    | 1.20    | 1.46     |
| 1 1/2" | 1.64    | 4.88   | 2.42   | 2.44   | 1.61   | 1.26   | 1.18    | 1.42    | 2.09     |
| 2"     | 2.14    | 5.62   | 2.81   | 2.95   | 1.48   | 1.52   | 1.41    | 1.77    | 2.83     |

