

Feature

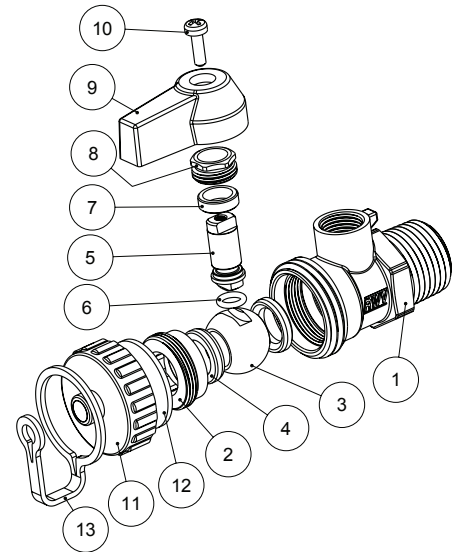
400# WOG
 Brass Body
 Threaded Ends
 Hose End with Cap

Working Temperature
 Temperature: 14°F - 248°F



Material

	Part	Material	Specification
1	Body	Brass	B124 C37700
2	Ring nut	Brass	B124 C37700
3	Ball	Brass/Cr plated	B124 C37700
4	Seats	PTFE	
5	Stem	Brass	B124 C37700
6	O-ring	EPDM Perox	
7	Packing ring	PTFE	
8	Packing nut	Brass	B124 C37700
9	Handle	Aluminum	
10	Screw	Steel/Zn plated	
11	Drain cap	Brass	B124 C37700
12	Drain cap gasket	EPDM Perox	
13	Tie	Black rubber	



Dimension

Size	Inch	1/4	3/8	1/2
	DN	8	10	15
A	inch	1.9	1.9	2.07
	mm	48	48	53
C	inch	0.43	0.43	0.61
	mm	11	11	15
H	inch	1.24	1.24	1.24
	mm	31	31	31
L	inch	1.06	1.06	1.06
	mm	27	27	27
P	inch	0.39	0.39	0.39
	mm	10	10	10
Wt.	lb	0.27	0.28	0.30
	kg	0.12	0.13	0.14

