

**Feature**

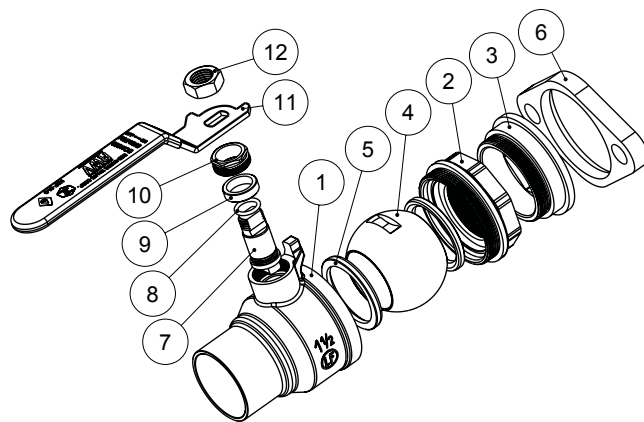
- 600# WOG
- Lead free brass body
- Full port
- Solder x Flange
- Solder end (ASME B16.22)
- Chrome plated ball
- Virgin PTFE seats
- Blow-out proof stem
- 3-piece construction
- Rotating flange design
- ¼-turn operation
- Positive shutoff
- Bolt kits included
- Wing handle included
- AB1953, NSF/ANSI 61 & 372 certified



**Material**

	Part	Material	Specification
1	Body	Lead Free Brass	ASTM B927 C28000
2	End piece *	Lead Free Brass	ASTM B927 C28000
3	End piece	Lead Free Brass	ASTM B927 C28000
4	Ball	Lead Free Brass / Cr plated	ASTM B927 C28000
5	Seat	PTFE	PTFE
6	Flange	Brass	ASTM B283 C37700
7	Stem	Lead Free Brass	ASTM B927 C28000
8	O-ring	FKM	NSF approved
9	Packing ring	PTFE	PTFE
10	Packing nut	Brass	ASTM B124 C37700
11	Handle	Steel / Dacromet® plated	ASTM A36
12	Handle nut	Steel / Zn plated	ASTM A36

\* Only for size 1½" & 2"



**Dimension, Weight**

Size	φ	A [in]	C [in]	H [in]	L [in]	P [in]	Wt. [lb]
¾"	0.877-0.881	2.73	0.75	2.07	3.58	0.73	1.42
1"	1.128-1.131	3.08	0.91	2.36	4.96	0.94	1.80
1¼"	1.378-1.381	3.58	0.98	2.58	4.96	1.22	2.10
1½"	1.628-1.632	4.06	1.09	2.87	5.55	1.46	2.60
2"	2.128-2.132	5.19	1.34	3.25	5.55	1.95	3.84

