

Feature

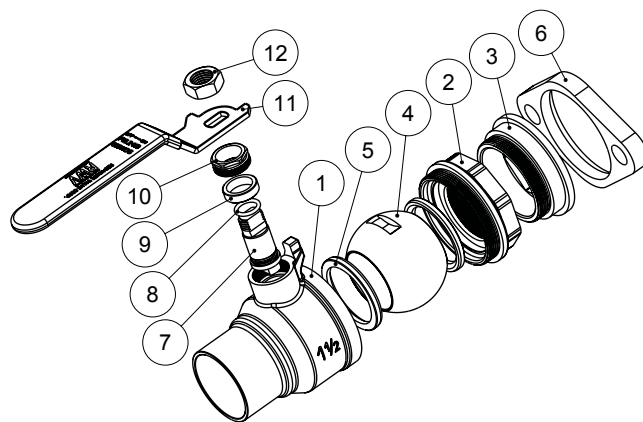
- 600# WOG
- Brass body
- Full port
- Solder x Flange
- Solder end (ASME B16.22)
- Chrome plated ball
- Virgin PTFE seats
- Blow-out proof stem
- 3-piece construction
- Rotating flange design
- ¼-turn operation
- Positive shutoff
- Includes wing handle & bolt kit



Material

| | Part | Material | Specification |
|----|--------------|--------------------------|------------------|
| 1 | Body | Brass | ASTM B283 C37700 |
| 2 | End piece * | Brass | ASTM B283 C37700 |
| 3 | End piece | Brass | ASTM B124 C37700 |
| 4 | Ball | Brass / Cr plated | ASTM B30 C85700 |
| 5 | Seat | PTFE | PTFE |
| 6 | Flange | Brass | ASTM B283 C37700 |
| 7 | Stem | Brass | ASTM B124 C37700 |
| 8 | O-ring | FKM | NSF approved |
| 9 | Packing ring | PTFE | PTFE |
| 10 | Packing nut | Brass | ASTM B124 C37700 |
| 11 | Handle | Steel / Dacromet® plated | ASTM A36 |
| 12 | Handle nut | Steel / Zn plated | ASTM A36 |

* Only for size 1½" & 2"



Dimension, Weight

| Size | φ | A [in] | C [in] | H [in] | L [in] | P [in] | Wt. [lb] |
|------|-------------|--------|--------|--------|--------|--------|----------|
| ¾" | 0.877-0.881 | 2.73 | 0.75 | 2.07 | 3.58 | 0.73 | 1.20 |
| 1" | 1.128-1.131 | 3.08 | 0.91 | 2.36 | 4.96 | 0.94 | 1.40 |
| 1¼" | 1.378-1.381 | 3.58 | 0.98 | 2.58 | 4.96 | 1.22 | 1.82 |
| 1½" | 1.628-1.632 | 4.06 | 1.09 | 2.87 | 5.55 | 1.46 | 2.10 |
| 2" | 2.128-2.132 | 5.19 | 1.34 | 3.25 | 5.55 | 1.95 | 3.86 |

