



Figure # 208A

Bronze Threaded End Gate Valve (3/8"-3")

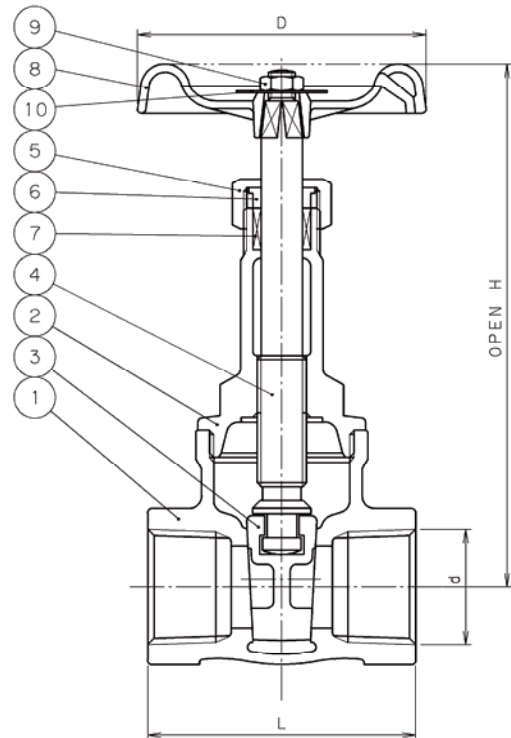
Product Features

- 125# WSP / 200# WOG
- Bronze Body
- Solid Disc
- Threaded Ends
- Inserted Bonnet
- Rising Stem
- MSS-SP-80



Materials & Specifications

Item	Description	Material	Specification
1	Body	Cast Bronze	B62-C83600
2	Bonnet	Cast Bronze	B62-C83600
3	Disc	Cast Bronze	B62-C83600
4	Stem	Brass	DR Alloy
5	Packing Nut	Brass	B283-C37700
6	Gland	Brass	B124-C37700
7	Gland Packing	Plastic Graphite	T#2996NA
8	Handwheel	Zinc Alloy 3/4" and up	B85-SC114A
8	Handwheel	Alum Alloy 1/2" only	B86-AG40A
9	Wheel Nut	Steel	A36
10	Name Plate	Aluminum	B209



Dimensions, Weights (inches-lbs.) & Valve Data

Size	3/8	1/2	3/4	1	1-1/4	1-1/2	2	2-1/2	3
D	1.89	2.17	2.48	2.76	3.15	3.54	3.94	3.94	4.9
d (NPT)	.375	.5	.75	1.0	1.25	1.5	2.0	2.5	3.0
H	4.9	5.16	5.98	6.93	8.35	9.8	11.65	12.2	14
L	1.73	1.97	2.21	2.56	2.84	3.11	3.35	4	5.2
S	1.08	1.14	1.38	1.61	1.97	2.24	2.76	3.4	3.9
Cv	5.7	12	26	42	72	120	210	335	486
Wt.- lbs.	.88	1	1.25	2	2.7	4	5.9	12.2	17.4

