

**Feature**

- 125# WSP / 200# WOG
- Brass body
- FNPT x FNPT
- Threaded ends (ASME B1.20.1-NPT)
- Screw in bonnet
- Non-rising stem
- Solid wedge disc

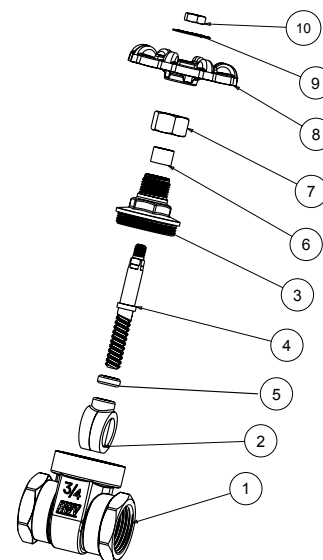
Meet BAA requirement

Pressure/ Temperature rating	
200 psi from 32 °F to 160 °F	125 psi max. at 344 °F



**Material**

	Part	Material	Specification
1	Body	Brass	ASTM B124 C37700
2	Wedge	Brass	ASTM B124 C37700
3	Bonnet	Brass	ASTM B124 C37700
4	Stem	Brass	ASTM B124 C37700
5	Ring	Brass	ASTM B124 C37700
6	Packing ring	Graphite	WRAS approved
7	Packing nut	Brass	ASTM B124 C37700
8	Handwheel	Aluminum	B85
9	Disk	Aluminum	B85
10	Nut	Steel / Zc plated	A36



**Dimension, Weight**

Size	T	A [in]	C [in]	H [in]	L [in]	P [in]	Cv	Wt. [lb]
¼"	¼ - 18 NPT	1.69	0.51	2.69	2.36	0.39	2.8	0.46
⅜"	⅜ - 18 NPT	1.69	0.51	2.69	2.36	0.39	5.7	0.42
½"	½ - 14 NPT	1.97	0.65	2.79	2.36	0.51	12.4	0.58
¾"	¾ - 14 NPT	2.12	0.65	3.17	2.36	0.74	27.7	0.82
1"	1 - 11.5 NPT	2.44	0.78	3.93	2.75	1.00	56.8	1.22
1¼"	1¼ - 11.5 NPT	2.75	0.86	4.21	3.15	1.25	90.7	1.86
1½"	1½ - 11.5 NPT	2.84	0.86	4.82	3.15	1.50	137	2.50
2"	2 - 11.5 NPT	3.23	0.96	6.27	3.75	2.00	304	4.21
2½"	2½ - 8 NPT	3.81	1.10	7.09	5.12	2.36	340	7.03

