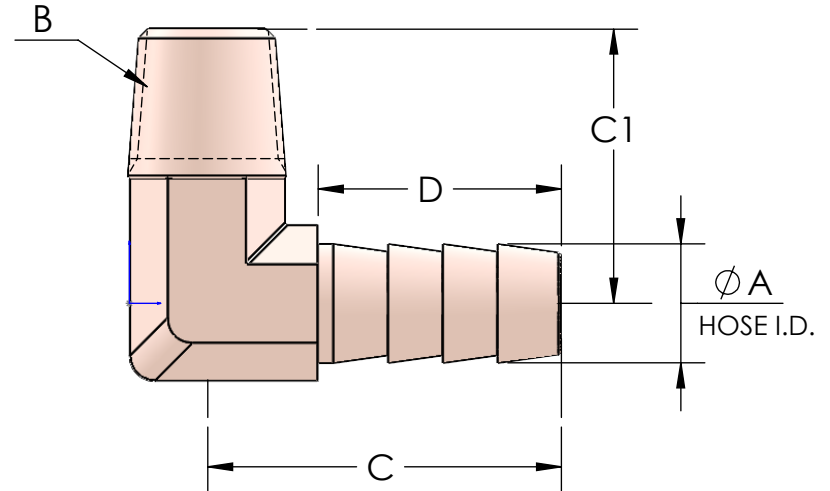



LINE DRAWING NOT FOR PRODUCTION PURPOSES

PART NUMBER	A HOSE I.D.	B NPTF THREAD	C LENGTH C/L	C1 HEIGHT C/L	D BARB LENGTH
1290302C	3/16	1/8 - 27	1.11	.73	.79
1290402C	1/4	1/8 - 27	1.11	.76	.79
1290404C	1/4	1/4 - 18	1.22	.94	.79
1290406C	1/4	3/8 - 18	1.22	.95	.79
1290502C	5/16	1/8 - 27	1.11	.73	.79
1290504C	5/16	1/4 - 18	1.22	.97	.79
1290506C	5/16	3/8 - 18	1.23	.91	.79
1290602C	3/8	1/8 - 27	1.14	.74	.77
1290604C	3/8	1/4 - 18	1.23	.95	.87
1290606C	3/8	3/8 - 18	1.28	.95	.87
1290608C	3/8	1/2 - 14	1.37	1.10	.87
1290804C	1/2	1/4 - 18	1.30	.97	.87
1290806C	1/2	3/8 - 18	1.33	.97	.87
1290808C	1/2	1/2 - 14	1.41	1.10	.87
1291006C	5/8	3/8 - 18	1.36	1.22	.87
1291008C	5/8	1/2 - 14	1.46	1.16	.87
1291208C	3/4	1/2 - 14	1.54	1.24	.87
1291212C	3/4	3/4 - 14	1.55	1.31	.87
1291612C	1	3/4 - 14	1.71	1.45	.98
1291616C	1	1-11-1/2++	1.80	1.63	.98



++ CAPPED

MATERIAL: FORGED C3604 BRASS ALLOY

 The Right Connection™	Dixon Brass Westmont, Illinois USA		DRAWN P. MONAGHAN DATE 6/24/20
			APPROVED DATE
			ECO NO.
TITLE: 90° ELBOW - FORGED HOSE BARB TO FEMALE NPTF		DO NOT SCALE THIS DRAWING	
SIZE	DWG. NO.	REV	
A	129 SERIES	B	

This drawing is owned by Dixon Valve & Coupling Co. and shall be returned upon demand. It is loaned on condition that it shall not be copied or reproduced or submitted to others without the owners consent. In accepting it, subject to this condition, the recipient further agrees that this drawing or any design detail or concept disclosed herein shall not be used in any way detrimental to or in competition with the owner. If the recipient does not agree to the terms of this agreement they shall return this drawing immediately. The information contained in this drawing is subject to change without notice.