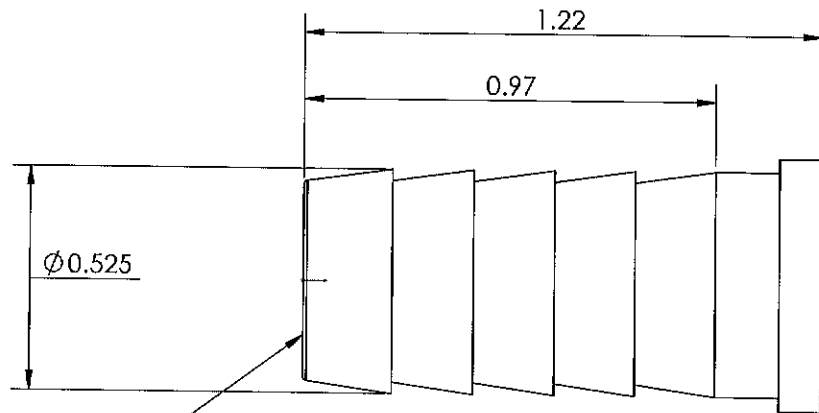
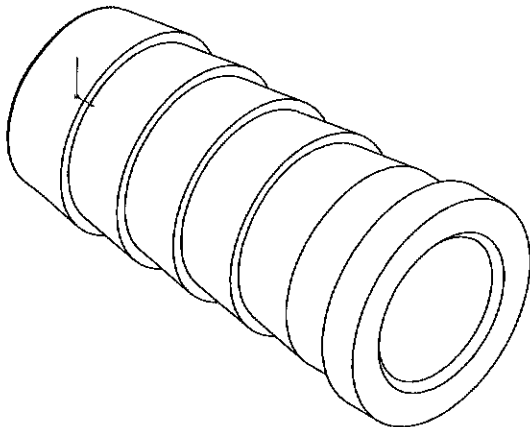



LINE DRAWING NOT FOR PRODUCTION PURPOSES

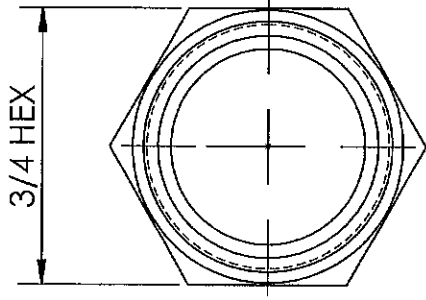
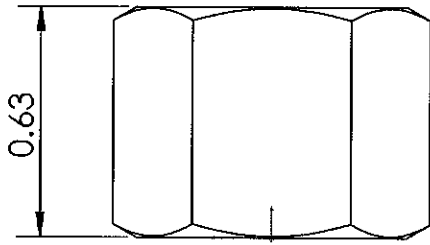


THRU HOLE DIA. .375

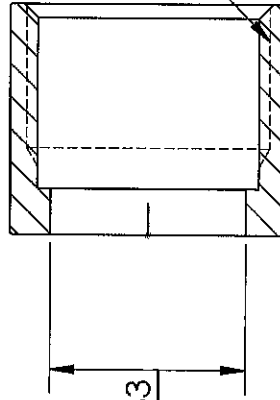


THIS DRAWING CONTAINS INFORMATION DEEMED PROPRIETARY TO DIXON BRASS AND IS SO TO BE USED ONLY FOR THE PURPOSE FOR WHICH IT IS SUBMITTED, AND FURTHER, SHALL NOT BE COPIED IN WHOLE OR IN PART WITHOUT EXPRESS WRITTEN PERMISSION FIRST OBTAINED FROM DIXON BRASS.				
UNLESS OTHERWISE SPECIFIED:				
DIMENSIONS ARE IN INCHES		 Dixon Brass Westmont, Illinois USA	DRAWN P. MONAGHAN APPROVED	DATE 2/28/14 DATE
TOLERANCES: ANGLES: +0°30' .X (+.015) .XX (+.010) .XXX (+.005)			ECO NO.	
DIMENSIONS PER ANSI Y14.5		TITLE: 1/2 SWIVEL STEM GASKET SEAT TYPE	DRAWING NOT REPRODUCED TO SCALE	
SIZE	DWG. NO.	REV		
A	1260806S	C		

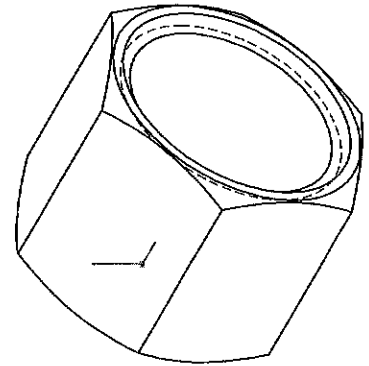
LINE DRAWING NOT FOR PRODUCTION PURPOSES



(THRU HOLE DIA.) $\phi 0.53$



3/8 - 18 NPSM
THREAD



THIS DRAWING CONTAINS INFORMATION DEEMED PROPRIETARY TO DIXON BRASS AND IS TO BE USED ONLY FOR THE PURPOSE FOR WHICH IT IS SUBMITTED, AND FURTHER, SHALL NOT BE COPIED IN WHOLE OR IN PART WITHOUT EXPRESS WRITTEN PERMISSION FIRST OBTAINED FROM DIXON BRASS. UNLESS OTHERWISE SPECIFIED:

DIMENSIONS ARE IN INCHES
TOLERANCES:
ANGLES: 30°
AN: ±0.15
XX: ±0.10
XXX: ±0.005
DIMENSIONS PER ANSI Y14.5



Dixon Brass
Westmont, Illinois USA

DRAWN: P. MONAGHAN
DATE: 2/27/14
APPROVED: [Signature]
DATE: [Blank]
ECO NO.:

TITLE: FEMALE SWIVEL NUT 3/8 - 18 NPSM		DRAWING NOT REPRODUCED TO SCALE	
SIZE: A	DWG. NO. 1240806N	REV: C	REV: [Blank]