

# Lockwing



## Utility Gas Ball Valve • Full Port • Service Bypass • 125 PSIG



**125-LWBP**

### Features


- Tamper resistant lockwing cap
- 2 FKM o-rings
- Full port design to accommodate industry leading stop changers
- Lockwing accommodates standard barrel locks
- Maintenance free design
- 100% leak tested
- 100% Made in Italy
- Leakproof stem - Lifetime Warranty
- Patented security shutter and lockwing tab
  - US Patent no. 6,648,009

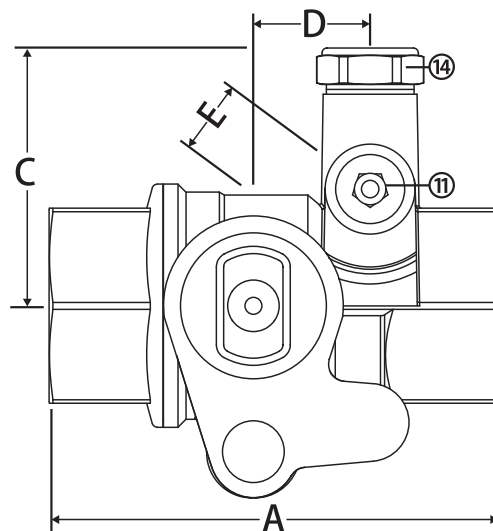
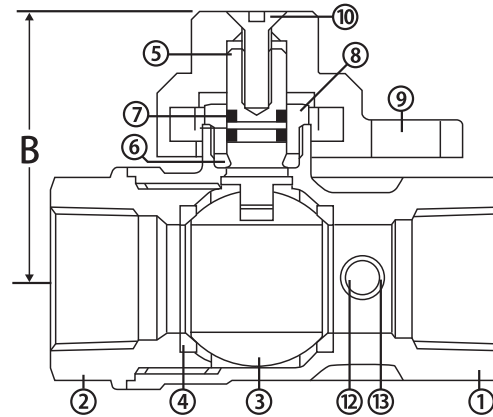
### Approvals

- CSA Certified
  - ANSI B16.33 (125G)
- Meets or exceeds applicable part of DOT 192

### Pressure Rating

- 125 PSIG
- Temp range: -40°F to 300°F
- MSS SP-110

 **WARNING:** This product can expose you to chemicals including lead, which is known to the State of California to cause cancer, and lead, which is known to the State of California to cause birth defects or other reproductive harm. For more information go to [www.P65Warnings.ca.gov](http://www.P65Warnings.ca.gov).



### Material Specifications

No.	Part	Materials
1	Body*	Brass - CW617N
2	End Connection*	Brass - CW617N
3	Ball	Chrome Plated Brass - CW617N
4	Seat (2)	PTFE G300
5	Stem	Brass - CW614N
6	Packing	Buna-N
7	Stem O-ring (2)	FKM
8	Packing Gland	Brass - CW614N
9	Lockwing Cap*	Brass - CW617N
10	Screw	304 Stainless Steel
11	Bypass Plug*	Brass - CW614N
12	Bypass Set Screw	Brass - CW614N
13	Bypass O-ring	Viton®
14	Bypass Cap*	Brass - CW614N

\*Component may be AGA painted depending upon selection

### Dimensions

Part No.	Size	A	B	C	D	E
244-005_	1"	3.65	2.21	2.18	0.95	0.59

\_ = Specify coating: B = Brass, P = Painted